

CIRCLIPS

1. All circlips should be inspected carefully before reassembly. Always replace piston pin clips after one use. Replace distorted circlips. When installing a circlip (1), make sure that the sharp-edged corner (2) is positioned opposite to the thrust (3) it receives. See the sectional view.

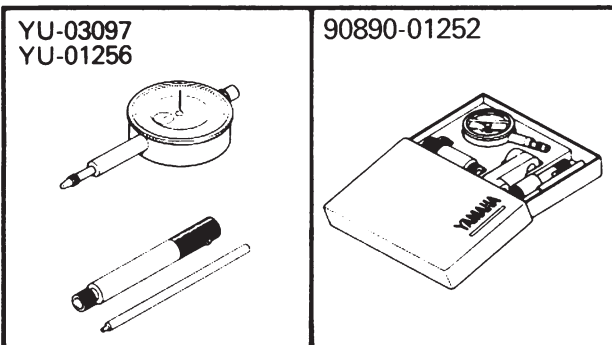
(4) Shaft

SPECIAL TOOLS

The following special tools are required to perform maintenance, adjustments, and repairs on your machine. These tools can be obtained through your Yamaha dealer.

NOTE: _____

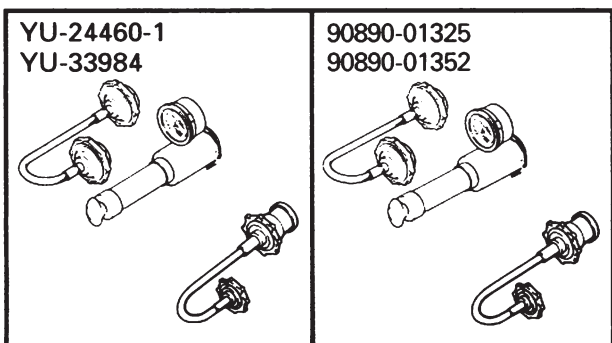
- For U.S.A. and Canada, use part number starting with "YM-" or "YU-".
- For others, use part number starting with "90890-".



FOR TUNE UP

1. Dial gauge and stand
P/N. YU-03097, YU-01256
90890-01252

These tools are used to set the ignition timing.

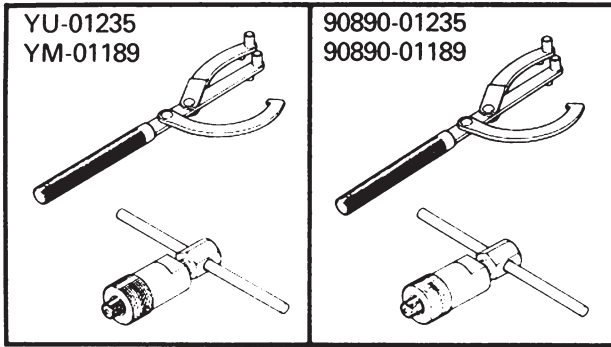


FOR ENGINE SERVICE

1. Radiator cap tester and adapter
Radiator cap tester P/N. YU-24460-1
90890-01325
Adapter P/N. YU-33984
90890-01352

These tools are used for checking the cooling system.

SPECIAL TOOLS

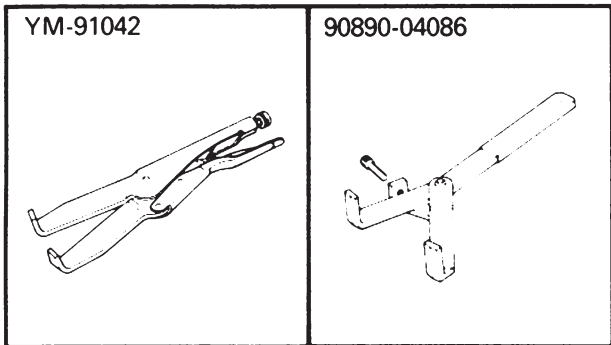


2. Rotor holder and rotor puller
Holder P/N. YU-01235
90890-01235

This tool is used when loosening or tightening the flywheel magneto securing nut.

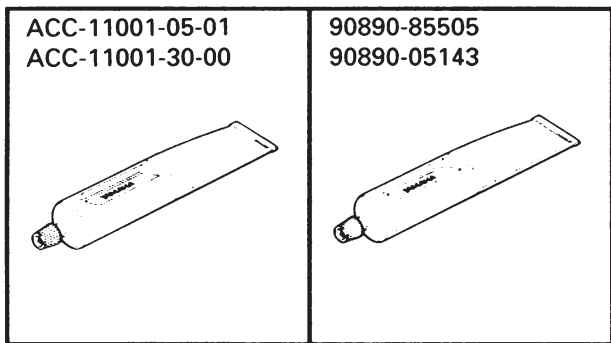
- Puller P/N. YM-01189
90890-01189

This tool is used to remove the magneto.



3. Clutch holder
P/N. YM-91042
90890-04086

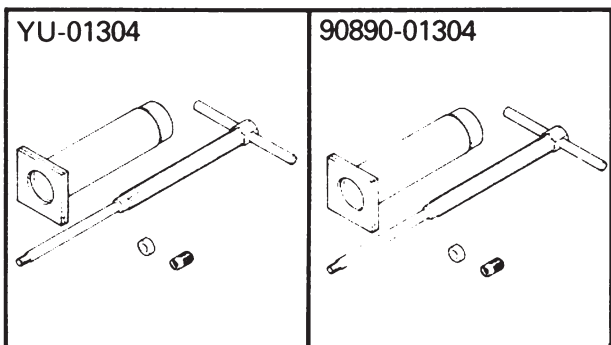
This tool is used to hold the clutch when removing or installing the clutch boss securing nut.



EC142810

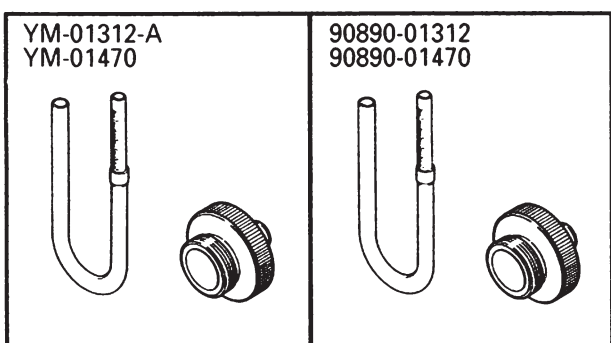
4. Quick gasket®
P/N. ACC-11001-05-01
P/N. ACC-11001-30-00
YAMAHA Bond No. 1215
P/N. 90890-85505
YAMAHA Bond No. 4
P/N. 90890-05143

This sealant (Bond) is used for crankcase mating surfaces, etc.



5. Piston pin puller
P/N. YU-01304
90890-01304

This tool is used to pull up the piston pin.



6. Fuel level gauge and fuel level gauge adapter

Gauge P/N. YM-01312-A
90890-01312

Adapter P/N. YM-01470
90890-01470

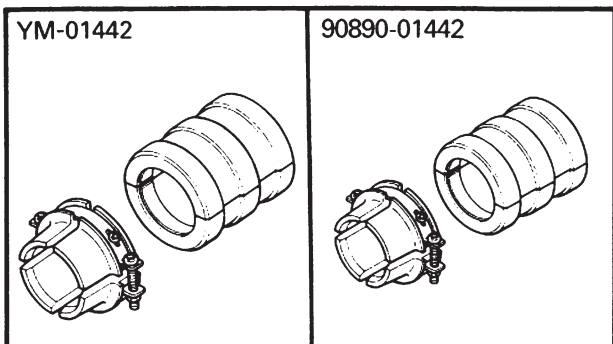
These tools are used to measure the fuel level in the float chamber.

1

SPECIAL TOOLS



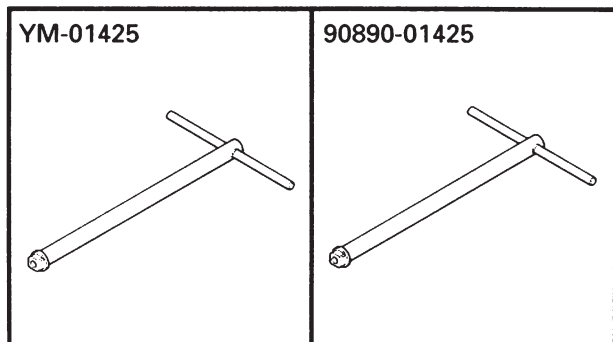
1



FOR CHASSIS SERVICE

1. Fork seal driver
P/N. YM-01442
90890-01442

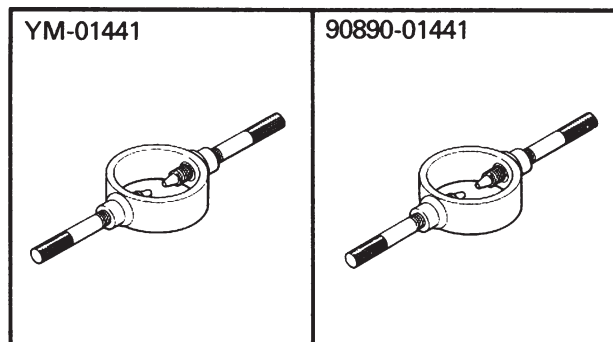
This tool is used when install the fork oil seal.



EC143221

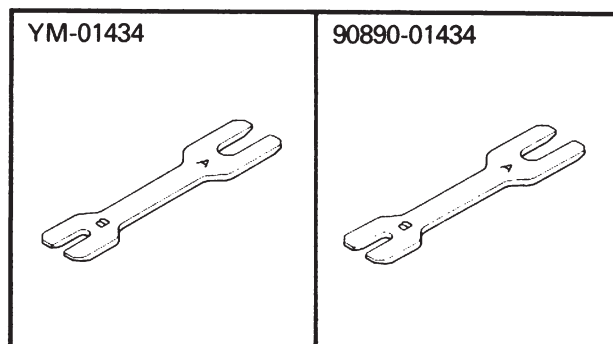
2. Damper rod holder
P/N. YM-01425
90890-01425

Use this tool to remove and install the damper rod.



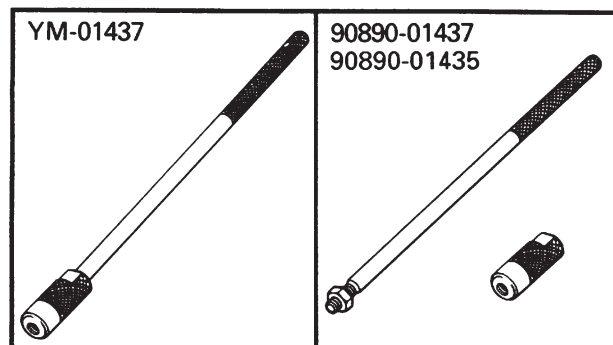
3. Fork spring compressor
P/N. YM-01441
90890-01441

This tool is used to compress the fork spring.



4. Rod holder
P/N. YM-01434
90890-01434

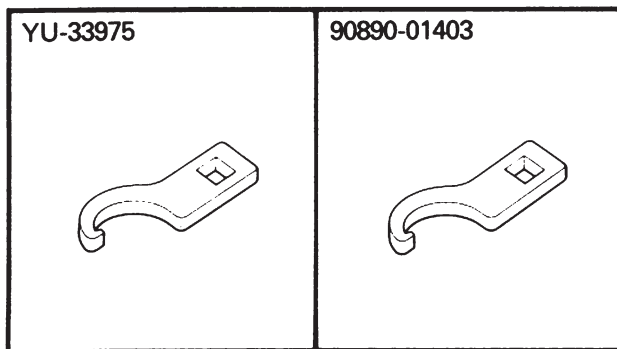
This tool is used to hold the fork spring.



5. Rod puller and rod puller attachment
Rod puller P/N. YM-01437
90890-01437

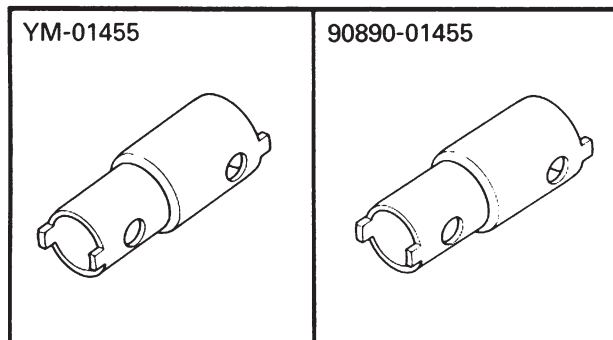
Rod puller attachment P/N. 90890-01435
These tools are used to pull up the fork damper rod.

SPECIAL TOOLS



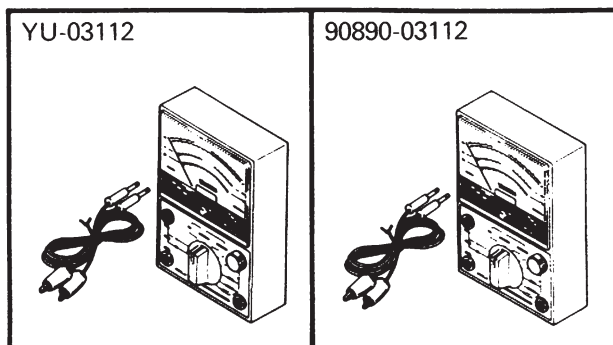
6. Ring nut wrench
P/N. YU-33975
90890-01403

This tool is used when tighten the steering ring nut to specification.



7. Pivot shaft wrench
P/N. YM-01455
90890-01455

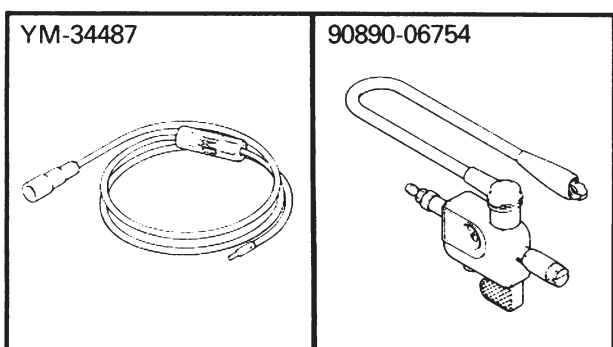
This tool is used to loosen or tighten the pivot adjust bolt.



FOR ELECTRICAL SERVICE

1. Yamaha pocket tester
P/N. YU-03112
90890-03112

Use this tool to inspect the coil resistance, output voltage and amperage.



2. Dynamic spark tester
P/N. YM-34487
Ignition checker
P/N. 90890-06754

This instrument is necessary for checking the ignition system components.

1