

2002-RS250R PARTS LIST

CONTENTS

| | |
|---|------|
| INSTRUCTIONS FOR USE OF PARTS LIST | 2- 2 |
|---|------|

ENGINE GROUP

| | | |
|------|--|------|
| E- 1 | Front cylinder / Cylinder head | 2- 3 |
| E- 2 | Rear cylinder / Cylinder head | 2- 4 |
| E- 3 | L. Crankcase cover / Clutch | 2- 5 |
| E- 4 | Exhaust valve pulley / Rear adjuster rod | 2- 6 |
| E- 5 | A.C. generator | 2- 7 |
| E- 6 | Water pump | 2- 8 |
| E- 7 | Crankcase | 2- 9 |
| E- 8 | Crankshaft / Piston | 2-11 |
| E- 9 | Transmission | 2-12 |
| E-10 | Gearshift fork / Gearshift drum | 2-14 |
| E-11 | Carburetor | 2-15 |

FRAME GROUP

| | | |
|------|---|------|
| F- 1 | Servo motor / Meter / Meter panel | 2-18 |
| F- 2 | Cable / Switch / Handlebar | 2-19 |
| F- 3 | Front brake caliper / Front brake master cylinder | 2-20 |
| F- 4 | Steering stem / Steering damper / Front fender | 2-21 |
| F- 5 | Front fork | 2-22 |
| F- 6 | Front wheel | 2-23 |
| F- 7 | Rear brake master cylinder | 2-24 |
| F- 8 | Rear brake caliper | 2-25 |
| F- 9 | Rear wheel | 2-26 |
| F-10 | Fuel tank | 2-27 |
| F-11 | Carburetor box | 2-28 |
| F-12 | Expansion chamber | 2-29 |
| F-13 | Gearshift pedal / Footpeg (Change pedal / Step arm) | 2-30 |
| F-14 | Rear swingarm | 2-31 |
| F-15 | Shock absorber (Rear cushion) | 2-32 |
| F-16 | Ignition coil / Wire harness | 2-33 |
| F-17 | Engine control unit / Frame body / Stand | 2-34 |
| F-18 | Radiator | 2-35 |
| F-19 | Cowl | 2-36 |

| | |
|--------------------|------|
| INDEX | 2-37 |
|--------------------|------|

INSTRUCTIONS FOR USE OF PARTS LIST

This parts list is to be used when ordering replacement parts; it contains all parts for model 2001-RS250R.

I. How to order parts

●Information required

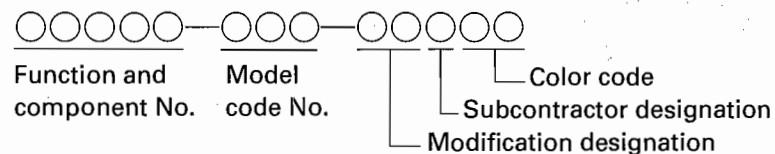
Replacement parts orders must contain both the part number and the stamped number(s) as described below. This is because any changes and modifications of parts are registered at HONDA with the pertinent parts and stamped numbers.

- If quantities are shown in (), the parts are optional.
- If "N" is indicated in the quantity column, the parts quantity is to be determined as required.

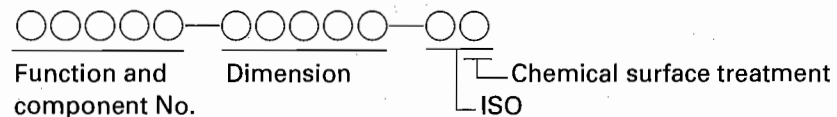
II. How to read this parts list

●Make-up of the part number

(Example) General parts



(Example) Bolts, nuts and other standard parts



●Abbreviations

The following abbreviations are used in this parts list.

| | |
|-------------------------------|------------------------------|
| A.C. Alternating current | M. Middle |
| ASSY. Assembly | mm. Millimeter |
| C. Center | R. Right |
| COMP. Complete | STD. Standard |
| G. Gram | T(22T) Tooth (22 Teeth) |
| L. Left | T.W. Thermo Water |
| L(100L) Link (100Links) | |

●Serial number

| | |
|---------------------------------|----------------------|
| Frame No. MR01-0110001~ (2001) | MR01-0210001~ (2002) |
| Engine No. MR01E-0110001~(2001) | MR01E-0210001~(2002) |

IMPORTANT INFORMATION

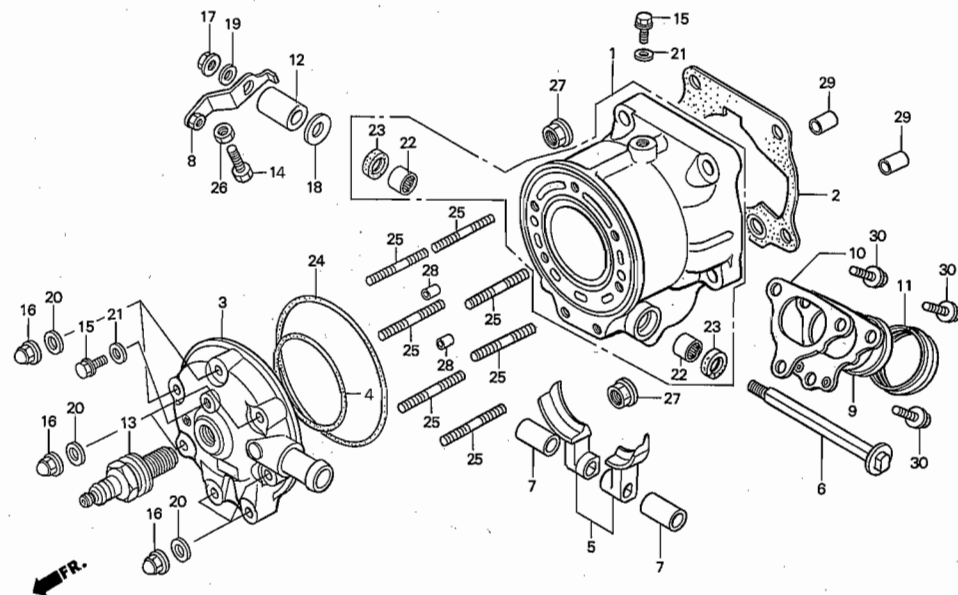
- The parts which have a dot “•” on the left side of the “Ref. No.” are exclusive for HRC products. To purchase these parts, consult your Honda dealer.
- The parts which have no dot are Honda products and can be purchased from your nearest Honda motorcycle dealer, or from HRC-JAPAN/ EUROPE if you can,t obtain the parts locally.

MEMO

Block No.

E-1

Front cylinder /
Cylinder head
2001 RS250R
2002 RS250R

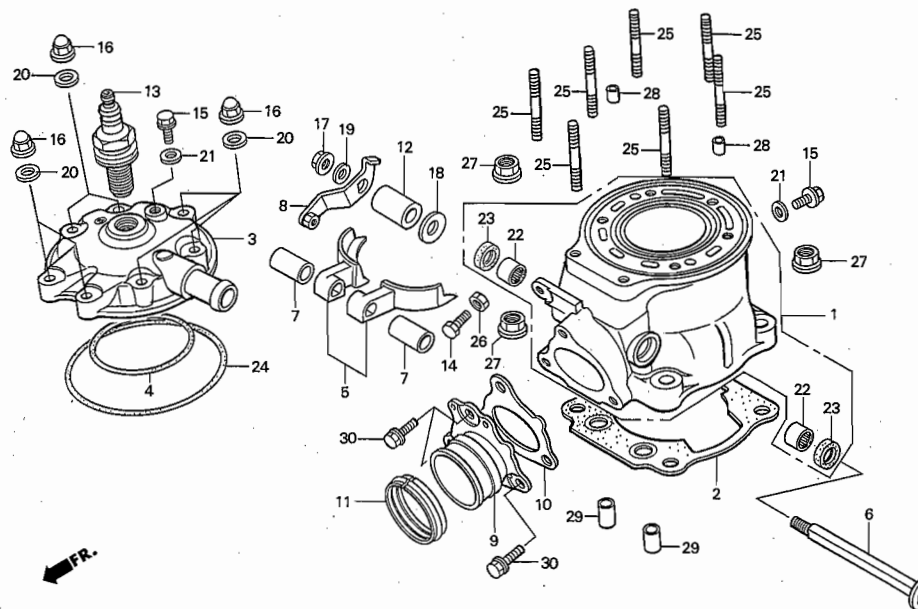


| Ref. No. | Part No. | Description | Reqd. No. '01 '02 | Remarks | Ref. No. | Part No. | Description | Reqd. No. '01 '02 | Remarks |
|----------|---------------|------------------------------------|-------------------|-------------------|----------|----------------|---------------------------------------|-------------------|---------|
| • 1 | 12100-NXA-610 | CYLINDER COMP. | (1) 1 | | 16 | 90201-415-000 | NUT, cap, 6mm | 7 7 | |
| • | 12101-NXA-000 | CYLINDER COMP. | 1 - | | 17 | 90301-473-003 | NUT, U, 6mm | 1 1 | |
| • 2 | 12194-NXA-003 | GASKET, cylinder (0.4t) | (1) (1) | | • 18 | 90401-NX5-770 | WASHER, 8mm | 1 1 | |
| • | 12195-NXA-003 | GASKET, cylinder (0.5t) | 1 1 | | 19 | 90442-035-000 | WASHER, sealing, 6mm | 1 1 | |
| • | 12196-NXA-003 | GASKET, cylinder (0.6t) | (1) (1) | | 20 | 90488-425-000 | WASHER, sealing, 6mm | 7 7 | |
| • 3 | 12211-NX5-790 | HEAD, cylinder | 1 1 | | 21 | 90543-273-000 | PACKING, front fork drain valve | 2 2 | |
| • 4 | 12213-ND5-000 | O-RING, 61×1.9 | 1 1 | | 22 | 91024-GJ5-003 | BEARING, needle, 12×16×10 | 2 2 | |
| • 5 | 14210-NXA-000 | SET, valve | 1 1 | | 23 | 91205-PH8-005 | OIL SEAL, 12×18×4 | 2 2 | |
| • 6 | 14221-NX5-000 | SHAFT, exhaust valve | 1 1 | | 24 | 91302-HA5-003 | O-RING, 85.3×2 | 1 1 | |
| • 7 | 14223-NF5-750 | COLLAR, 8mm | 2 2 | | 25 | 92900-06028-0E | BOLT, stud II, 6×28 | 7 7 | |
| • 8 | 14420-NX5-750 | ARM COMP., front valve | 1 1 | | 26 | 94001-05080-0S | NUT, 5mm | 1 1 | |
| • 9 | 18220-NXA-000 | JOINT, exhaust pipe #1 | 1 1 | Length:34mm black | 27 | 94050-08000 | NUT, flange, 8mm | 4 4 | |
| • 10 | 18231-NXA-801 | GASKET, exhaust joint | 1 1 | | 28 | 94301-06100 | DOWEL PIN, 6×10 | 2 2 | |
| • 11 | 18359-NXA-000 | SEAL, exhaust pipe | 1 1 | | 29 | 94301-10120 | DOWEL PIN, 10×12 | 2 2 | |
| 12 | 24329-KT8-000 | COLLAR, guide plate distance | 1 1 | | 30 | 96001-06014-00 | BOLT, flange, SH, 6×14 | 3 3 | |
| • 13 | 31930-NX5-751 | SPARK PLUG, R6120-10 | (1) (1) | | | | | | |
| • | 31940-NX5-751 | SPARK PLUG, R6120-10.5 | 1 1 | | | | | | |
| • | 31950-NX5-751 | SPARK PLUG, R6120-11 | (1) (1) | | | | | | |
| • 14 | 90035-NX5-700 | BOLT, stopper | 1 1 | | | | | | |
| • 15 | 90037-NX5-000 | BOLT, water check 6×10 | 2 2 | | | | | | |

Block No.

E-2

Rear cylinder /
Cylinder head
2001 RS250R
2002 RS250R

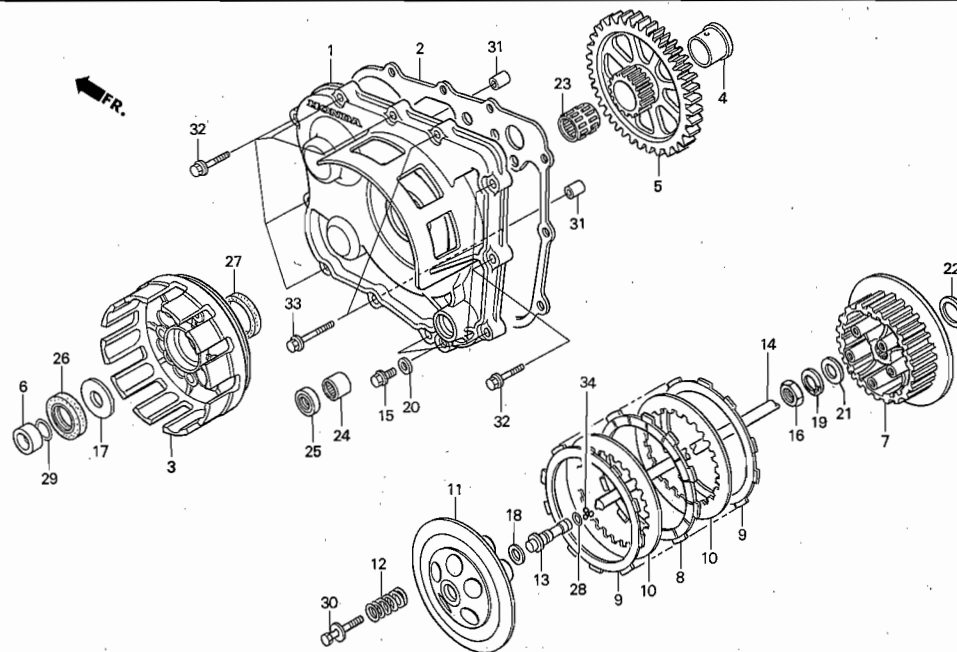


| Ref. No. | Part No. | Description | Reqd. No. '01 '02 | Remarks | Ref. No. | Part No. | Description | Reqd. No. '01 '02 | Remarks |
|----------|---------------|------------------------------------|-------------------|--------------------|----------|----------------|---------------------------------------|-------------------|---------|
| • 1 | 12100-NXA-610 | CYLINDER COMP. | (1) 1 | | 16 | 90201-415-000 | NUT, cap, 6mm | 7 7 | |
| • | 12101-NXA-000 | CYLINDER COMP. | 1 - | | 17 | 90301-473-003 | NUT, U, 6mm | 1 1 | |
| • 2 | 12194-NXA-003 | GASKET, cylinder (0.4t) | (1) (1) | | • 18 | 90401-NX5-770 | WASHER, 8mm | 1 1 | |
| • | 12195-NXA-003 | GASKET, cylinder (0.5t) | 1 1 | | 19 | 90442-035-000 | WASHER, sealing, 6mm | 1 1 | |
| • | 12196-NXA-003 | GASKET, cylinder (0.6t) | (1) (1) | | 20 | 90488-425-000 | WASHER, sealing, 6mm | 7 7 | |
| • 3 | 12211-NX5-790 | HEAD, cylinder | 1 1 | | 21 | 90543-273-000 | PACKING, front fork drain valve | 2 2 | |
| • 4 | 12213-ND5-000 | O-RING, 61 × 1.9 | 1 1 | | 22 | 91024-GJ5-003 | BEARING, needle, 12 × 16 × 10 | 2 2 | |
| • 5 | 14210-NXA-000 | SET, valve | 1 1 | | 23 | 91205-PH8-005 | OIL SEAL, 12 × 18 × 4 | 2 2 | |
| • 6 | 14221-NX5-000 | SHAFT, exhaust valve | 1 1 | | 24 | 91302-HA5-003 | O-RING, 85.3 × 2 | 1 1 | |
| • 7 | 14223-NF5-750 | COLLAR, 8mm | 2 2 | | 25 | 92900-06028-OE | BOLT, stud II, 6 × 28 | 7 7 | |
| • 8 | 14410-NX5-750 | ARM COMP., front valve | 1 1 | | 26 | 94001-05080-0S | NUT, 5mm | 1 1 | |
| • 9 | 18221-NXA-000 | JOINT, exhaust pipe #2 | 1 1 | Length:29mm silver | 27 | 94050-08000 | NUT, flange, 8mm | 4 4 | |
| • 10 | 18231-NXA-801 | GASKET, exhaust joint | 1 1 | | 28 | 94301-06100 | DOWEL PIN, 6 × 10 | 2 2 | |
| • 11 | 18359-NXA-000 | SEAL, exhaust pipe | 1 1 | | 29 | 94301-10120 | DOWEL PIN, 10 × 12 | 2 2 | |
| 12 | 24329-KT8-000 | COLLAR, guide plate distance | 1 1 | | 30 | 96001-06014-00 | BOLT, flange, SH, 6 × 14 | 3 3 | |
| • 13 | 31930-NX5-751 | SPARK PLUG, R6120-10 | (1) (1) | | | | | | |
| • | 31940-NX5-751 | SPARK PLUG, R6120-10.5 | 1 1 | | | | | | |
| • | 31950-NX5-751 | SPARK PLUG, R6120-11 | (1) (1) | | | | | | |
| • 14 | 90035-NX5-700 | BOLT, stopper | 1 1 | | | | | | |
| • 15 | 90037-NX5-000 | BOLT, water check 6 × 10 | 2 2 | | | | | | |

Block No.

E-3

L. Crankcase cover /
Clutch
2001 RS250R
2002 RS250R

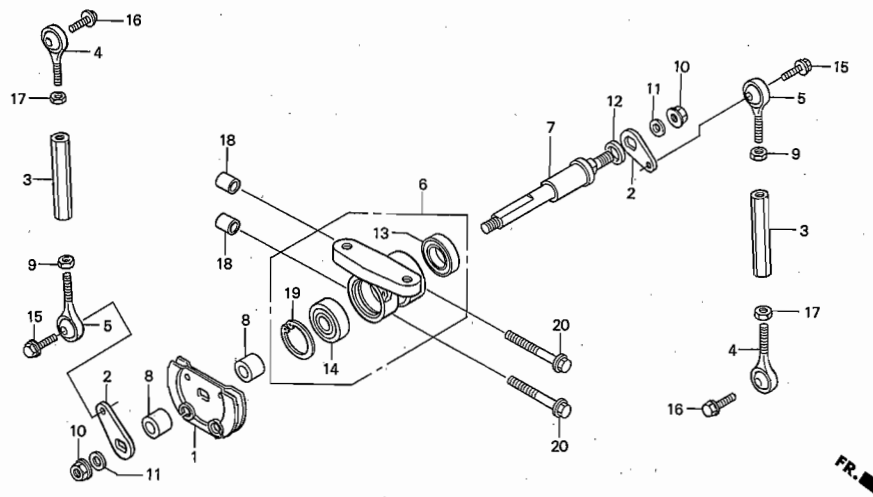


| Ref. No. | Part No. | Description | Reqd. No. '01 '02 | Remarks | Ref. No. | Part No. | Description | Reqd. No. '01 '02 | Remarks |
|----------|---------------|---------------------------------|-------------------|---------|----------|----------------|-----------------------------------|-------------------|---------|
| • 1 | 11340-NXA-000 | COVER, L. crankcase | 1 1 | | • 18 | 90412-NF5-760 | WASHER, shim 1.4 | N N | |
| • 2 | 11395-NXA-000 | GASKET, L. cover | 1 1 | | • | 90413-NF5-760 | WASHER, shim 1.8 | N N | |
| • 3 | 22100-NX5-680 | OUTER COMP., clutch | 1 1 | | • | 90414-NF5-760 | WASHER, shim 2.2 | N N | |
| • 4 | 22106-NXA-000 | COLLAR, clutch outer | 1 1 | | 19 | 90432-428-000 | WASHER, lock | 1 1 | |
| • 5 | 22111-NX5-000 | GEAR, 56T, primary driven | (1) (1) | | 20 | 90443-MB0-000 | WASHER, sealing, 10mm | 1 1 | |
| • | 22112-NX5-000 | GEAR, 57T, primary driven | (1) (1) | | 21 | 90456-KA4-000 | WASHER, thrust 18×32 | 1 1 | |
| • | 22113-NX5-000 | GEAR, 58T, primary driven | 1 1 | | 22 | 90456-425-000 | WASHER A, thrust 22mm | 1 1 | |
| • 6 | 22117-NX5-000 | COLLAR, 22×30×10.2 | 1 1 | | 23 | 91021-ML3-003 | BEARING, needle 28×32×27.2 | 1 1 | |
| • 7 | 22120-NX5-680 | CENTER, clutch | 1 1 | | 24 | 91101-121-691 | BEARING, needle (7E-HK1412) | 1 1 | |
| • 8 | 22201-NX5-003 | DISK, clutch friction | 4 4 | | 25 | 91203-KK3-830 | OIL SEAL, 14×22×5 | 1 1 | |
| • 9 | 22202-NX5-000 | DISK, clutch friction | 2 2 | | 26 | 91264-415-003 | OIL SEAL, 30×47×7 | 1 1 | |
| • 10 | 22321-MM9-000 | PLATE, clutch | 5 5 | | 27 | 91271-MB0-013 | OIL SEAL, 47×56×7 | 1 1 | |
| • 11 | 22351-NX5-680 | PLATE, clutch pressure | 1 1 | | 28 | 91306-HB3-003 | O-RING, 8×1.7 | 1 1 | |
| • 12 | 22401-KA5-740 | SPRING, clutch | 5 5 | | 29 | 91359-415-300 | O-RING, 22×1.7 | 1 1 | |
| • 13 | 22841-ND5-750 | PIECE, lifter joint | 1 1 | | 30 | 93404-06020-08 | BOLT-WASHER, 6×20 | 5 5 | |
| • 14 | 22850-NX5-700 | ROD, clutch lifter | 1 1 | | 31 | 94301-08100 | DOWEL PIN, 8×10 | 2 2 | |
| • 15 | 90081-NF5-000 | BOLT, drain, 10mm | 1 1 | | 32 | 96001-06025-00 | BOLT, flange, SH, 6×25 | 9 9 | |
| • 16 | 90235-MN1-670 | NUT, 18mm | 1 1 | | 33 | 96001-06032-00 | BOLT, flange, SH, 6×32 | 2 2 | |
| • 17 | 90402-ND5-750 | WASHER, thrust, 22×45.5×2 | 1 1 | | 34 | 96211-06000 | BALL, steel, 6 | 3 3 | |
| • 18 | 90411-NF5-760 | WASHER, shim 1.0 | N N | | | | | | |

Block No.

E-4

Exhaust valve pulley /
Rear adjuster rod
2001 RS250R
2002 RS250R



| Ref. No. | Part No. | Description | Reqd. No. '01 '02 | Remarks | Ref. No. | Part No. | Description | Reqd. No. '01 '02 | Remarks |
|----------|----------------|------------------------------------|-------------------|---------|----------|----------|-------------|-------------------|---------|
| • 1 | 14243-NF5-750 | PULLEY COMP. | 1 1 | | | | | | |
| • 2 | 14245-NX5-000 | ARM, pulley | 2 2 | | | | | | |
| • 3 | 14248-NF5-750 | ADJUSTER ROD, rear | 2 2 | | | | | | |
| • 4 | 14337-NXA-003 | ROD END, 5mm | 2 2 | | | | | | |
| • 5 | 14338-NXA-003 | ROD END, 5mm, L. hand | 2 2 | | | | | | |
| • 6 | 18150-NXA-000 | HOLDER COMP., pulley | 1 1 | | | | | | |
| • 7 | 18152-NX5-700 | SHAFT, driven pulley | 1 1 | | | | | | |
| • 8 | 18153-NX5-000 | COLLAR, 8×10 | 2 2 | | | | | | |
| • 9 | 90201-NF5-000 | NUT, L. hand, 5mm | 2 2 | | | | | | |
| 10 | 90301-473-003 | NUT, U, 6mm | 2 2 | | | | | | |
| 11 | 90442-035-000 | WASHER, sealing, 6mm | 2 2 | | | | | | |
| 12 | 90443-MF5-000 | WASHER, thrust 8.5 | 1 1 | | | | | | |
| 13 | 91001-KG8-901 | BEARING, ball radial, 6901 UU | 1 1 | | | | | | |
| • 14 | 91034-NXA-003 | BEARING, ball, 8×22×7 | 1 1 | | | | | | |
| 15 | 92301-05014-0A | BOLT (recessed), 5×14 | 2 2 | | | | | | |
| 16 | 92301-05016-0A | BOLT (recessed), 5×16 | 2 2 | | | | | | |
| 17 | 94001-05000-0S | NUT, hex., 5mm | 2 2 | | | | | | |
| 18 | 94301-08100 | DOWEL PIN, 8×10 | 2 2 | | | | | | |
| 19 | 94520-22000 | CIRCLIP, internal 22 | 1 1 | | | | | | |
| 20 | 96001-06040-00 | BOLT, flange, SH, 6×40 | 2 2 | | | | | | |

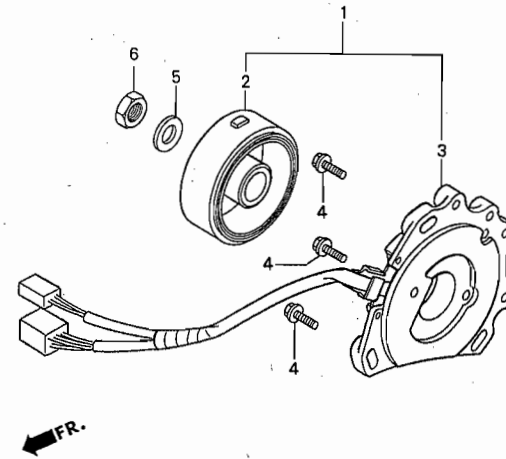
Block No.

E-5

A.C. generator

2001 RS250R

2002 RS250R



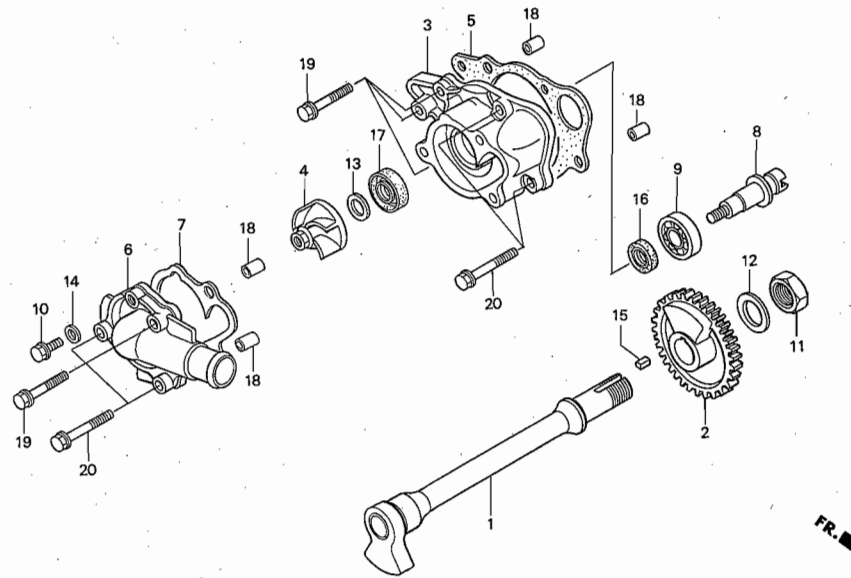
| Ref. No. | Part No. | Description | Reqd. No. '01 | Reqd. No. '02 | Remarks | Ref. No. | Part No. | Description | Reqd. No. '01 | Reqd. No. '02 | Remarks |
|----------|----------------|-------------------------------|---------------|---------------|---------|----------|----------|-------------|---------------|---------------|---------|
| • 1 | 31100-NXA-611 | A.C. GENERATOR ASSY. | - | 1 | | | | | | | |
| • | 31100-NX5-681 | A.C. GENERATOR ASSY. | 1 | - | | | | | | | |
| • 2 | 31110-NXA-611 | FLYWHEEL COMP. | - | 1 | | | | | | | |
| • | 31110-NX5-771 | FLYWHEEL COMP. | 1 | - | | | | | | | |
| • 3 | 31120-NX5-681 | STATOR COMP. | 1 | 1 | | | | | | | |
| 4 | 90004-GHB-670 | BOLT, flange, NSHF, 6×25..... | 3 | 3 | | | | | | | |
| 5 | 90441-KR3-000 | WASHER, plain, 12mm..... | 1 | 1 | | | | | | | |
| 6 | 94001-12200-0S | NUT, hex., 12mm..... | 1 | 1 | | | | | | | |

Block No.

E-6

Water pump

2001 RS250R
2002 RS250R



| Ref. No. | Part No. | Description | Reqd. No. | | Remarks | Ref. No. | Part No. | Description | Reqd. No. | | Remarks |
|----------|----------------|--------------------------------------|-----------|-----|---------|----------|----------|-------------|-----------|-----|---------|
| | | | '01 | '02 | | | | | '01 | '02 | |
| • 1 | 13420-NXA-000 | SHAFT COMP., balancer..... | 1 | 1 | | | | | | | |
| • 2 | 13426-NXA-000 | GEAR, balancer driven..... | 1 | 1 | | | | | | | |
| • 3 | 19210-NXA-000 | BODY, water pump..... | 1 | 1 | | | | | | | |
| • 4 | 19215-KA5-690 | IMPELLER, water pump..... | 1 | 1 | | | | | | | |
| • 5 | 19219-NXA-003 | GASKET, water pump body..... | 1 | 1 | | | | | | | |
| • 6 | 19220-NX5-000 | COVER, water pump..... | 1 | 1 | | | | | | | |
| • 7 | 19229-NX5-003 | GASKET, water pump cover..... | 1 | 1 | | | | | | | |
| • 8 | 19233-NX5-700 | SHAFT, water pump..... | 1 | 1 | | | | | | | |
| • 9 | 50814-GZ5-003 | BEARING, ball, radial, 6001..... | 1 | 1 | | | | | | | |
| • 10 | 90037-NX5-000 | BOLT, water check, 6×10..... | 1 | 1 | | | | | | | |
| 11 | 90301-HA7-670 | NUT, lock, 20mm..... | 1 | 1 | | | | | | | |
| 12 | 90432-121-000 | WASHER, lock..... | 1 | 1 | | | | | | | |
| 13 | 90447-KE1-000 | WASHER, sealing, 7mm..... | 1 | 1 | | | | | | | |
| 14 | 90543-273-000 | PACKING, front fork drain valve..... | 1 | 1 | | | | | | | |
| 15 | 90702-KAE-000 | KEY, 4×5×10..... | 1 | 1 | | | | | | | |
| 16 | 91201-965-000 | OIL SEAL, 12×22×5..... | 1 | 1 | | | | | | | |
| 17 | 91211-KA3-761 | SEAL, water pump..... | 1 | 1 | | | | | | | |
| 18 | 94301-08100 | DOWEL PIN, 8×10..... | 4 | 4 | | | | | | | |
| 19 | 96001-06028-00 | BOLT, flange, SH, 6×28..... | 4 | 4 | | | | | | | |
| 20 | 96001-06032-00 | BOLT, flange, SH, 6×32..... | 4 | 4 | | | | | | | |

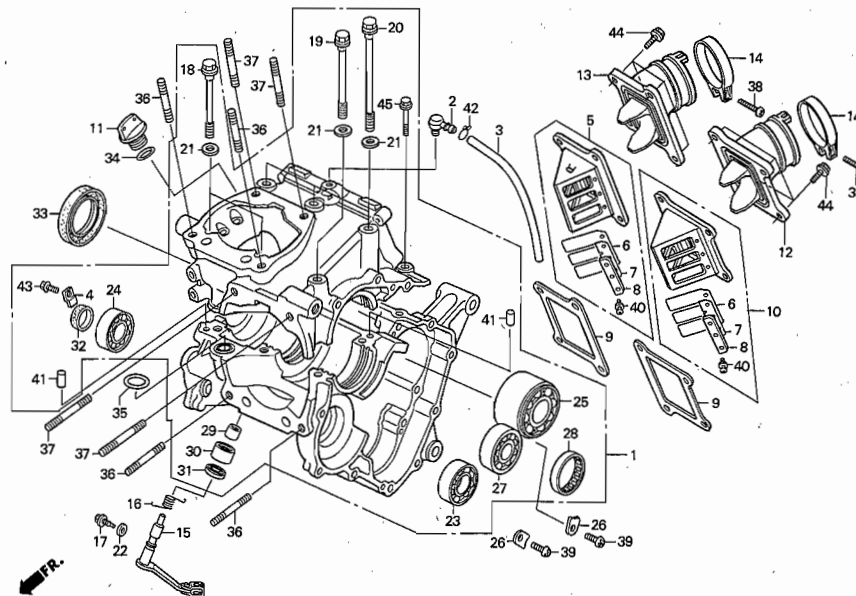
Block No.

E-7

Crankcase

2001 RS250R

2002 RS250R



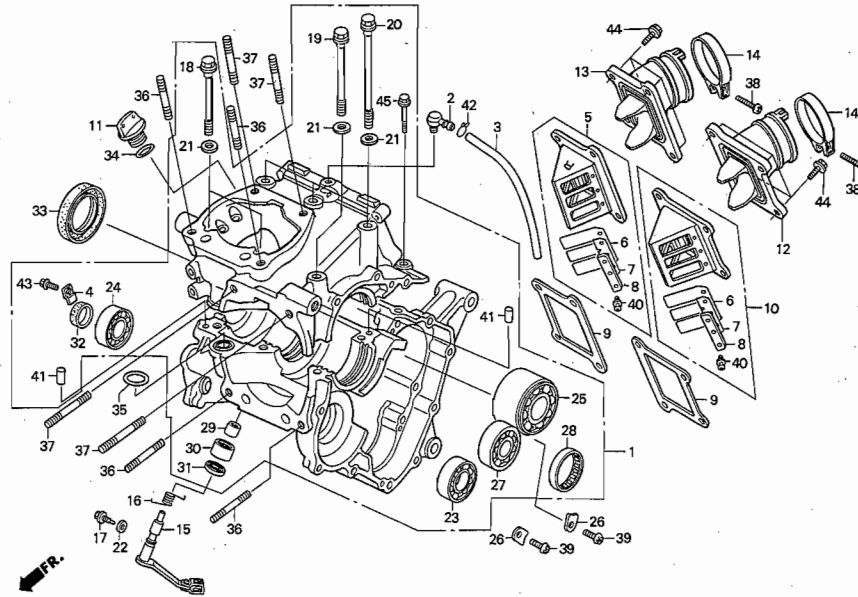
| Ref. No. | Part No. | Description | Reqd. No. '01 '02 | Remarks | Ref. No. | Part No. | Description | Reqd. No. '01 '02 | Remarks |
|----------|---------------|--------------------------------------|-------------------|---------|----------|----------------|--|-------------------|---------|
| • 1 | 11000-NXA-305 | CRANKCASE SET | 1 - | | • 20 | 90083-NX5-000 | BOLT, flange, 9×114 | 3 3 | |
| • | 11000-NXA-306 | CRANKCASE SET | (1) 1 | | 21 | 90445-MM4-000 | WASHER, 9mm | 6 6 | |
| 2 | 11106-GM2-300 | JOINT, breather | 1 1 | | 22 | 90543-273-000 | PACKING, front fork drain valve | 1 1 | |
| 3 | 11206-KR8-000 | TUBE, breather | 1 1 | | • 23 | 91001-NX5-701 | BEARING, ball, 20×47×14 special | 1 1 | |
| • 4 | 11209-NH3-760 | STOPPER, seal | 1 1 | | • 24 | 91005-NX5-771 | BEARING, ball, radial, 6005Z spl. | 1 1 | |
| • 5 | 14100-NXA-003 | VALVE ASSY., reed rear | 1 1 | | • 25 | 91010-NX5-003 | BEARING, ball, 5205-M | 1 1 | |
| • 6 | 14112-NX5-003 | VALVE ONLY, B reed | 4 4 | | 26 | 91012-KA3-710 | PLATE, countershaft bearing | 2 2 | |
| • 7 | 14113-NXA-003 | SUPPORTER, reed valve | 4 4 | | • 27 | 91012-NX5-000 | BEARING, ball, 6204Z | 1 1 | |
| • 8 | 14121-NX5-003 | STOPPER, reed valve | 4 4 | | 28 | 91022-KA4-740 | BEARING, shell, 33×38×8 | 1 1 | |
| • 9 | 14132-NXA-003 | GASKET, reed valve | 2 2 | | • 29 | 91023-NXA-003 | BEARING, needle, 7×11×9 | 1 1 | |
| • 10 | 14200-NXA-003 | VALVE ASSY., reed front | 1 1 | | 30 | 91101-PZ9-000 | BEARING, needle, 12×16×10 | 1 1 | |
| • 11 | 15611-NF4-900 | CAP, oil filler | 1 1 | | 31 | 91206-KV3-003 | OIL SEAL, 12×19×5 | 1 1 | |
| • 12 | 16210-NXA-000 | INSULATOR, carburetor front | 1 1 | | 32 | 91255-723-671 | PLUG, seal, 22×7 | 1 1 | |
| • 13 | 16220-NXA-000 | INSULATOR, carburetor rear | 1 1 | | 33 | 91261-MB0-003 | OIL SEAL, 34×50×7 | 1 1 | |
| 14 | 95018-52250 | BAND 52, AIR/C connecting tube | 2 2 | | 34 | 91304-MJ0-003 | O-RING | 1 1 | |
| • 15 | 22810-NXA-000 | LEVER COMP., clutch lever | 1 1 | | 35 | 91361-MB0-000 | O-RING, 19×1.9 | 1 1 | |
| 16 | 22815-ML0-780 | SPRING, clutch lever | 1 1 | | 36 | 92900-08032-3E | BOLT, stud II, 8×32 | 4 4 | |
| 17 | 90002-KG4-000 | BOLT, special, 6mm | 1 1 | | 37 | 92900-08035-3E | BOLT, stud II, 8×35 | 4 4 | |
| • 18 | 90081-NX5-000 | BOLT, flange, 9×62.5 | 2 2 | | 38 | 93500-04025-0G | SCREW, pan, 4×25 | 2 2 | |
| • 19 | 90082-NX5-000 | BOLT, flange, 9×87 | 1 1 | | | | | | |

Block No.

E-7

Crankcase

2001 RS250R
2002 RS250R

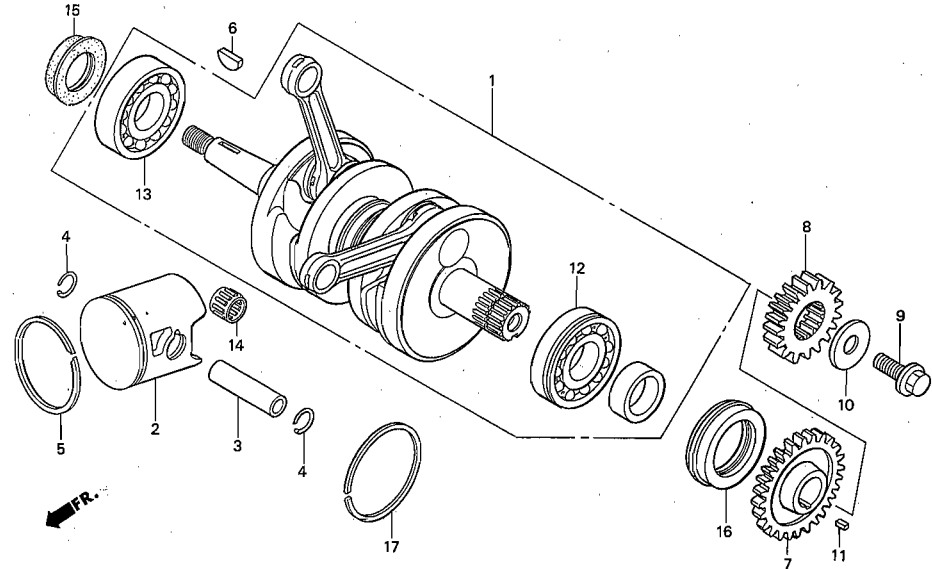


| Ref. No. | Part No. | Description | Reqd. No. | | Remarks | Ref. No. | Part No. | Description | Reqd. No. | | Remarks |
|----------|----------------|--------------------------|-----------|-----|---------|----------|----------|-------------|-----------|-----|---------|
| | | | '01 | '02 | | | | | '01 | '02 | |
| 39 | 93600-06012-0A | SCREW, flat, 6×12 | 2 | 2 | | | | | | | |
| 40 | 93892-03008-08 | SCREW-WASHER, 3×8 | 12 | 12 | | | | | | | |
| 41 | 94303-08140 | DOWEL PIN, 8×14 | 2 | 2 | | | | | | | |
| 42 | 95002-02070 | CLIP B7, tube | 1 | 1 | | | | | | | |
| 43 | 96001-06012-00 | BOLT, flange, 6×12 | 1 | 1 | | | | | | | |
| 44 | 96001-06022-00 | BOLT, flange, 6×22 | 8 | 8 | | | | | | | |
| 45 | 96001-06025-00 | BOLT, flange, 6×25 | 3 | 3 | | | | | | | |

Block No.

E-8

Crankshaft /
Piston
2001 RS250R
2002 RS250R



| Ref. No. | Part No. | Description | Reqd. No. '01 '02 | Remarks | Ref. No. | Part No. | Description | Reqd. No. '01 '02 | Remarks |
|----------|---------------|------------------------------------|-------------------|---------|----------|----------|-------------|-------------------|---------|
| • 1 | 13000-NX5-790 | CRANKSHAFT COMP. | 1 1 | | | | | | |
| • 2 | 13100-NX5-790 | PISTON COMP. | 2 2 | | | | | | |
| 3 | 13111-KV3-000 | PIN, piston | 2 2 | | | | | | |
| • 4 | 13112-NX5-700 | CLIP, piston pin, 15mm | 4 4 | | | | | | |
| • 5 | 13121-NX4-811 | RING, piston | 2 2 | | | | | | |
| • | 13121-NX5-701 | RING, piston | (2) - | | | | | | |
| 6 | 13331-360-000 | KEY, special, woodruff 25×15 | 1 1 | | | | | | |
| • 7 | 13415-NXA-000 | GEAR, balancer drive | 1 1 | | | | | | |
| • 8 | 13615-NX5-710 | GEAR, primary drive | 1 1 | | | | | | |
| • 9 | 90013-415-000 | BOLT, UBS, 12×28 | 1 1 | | | | | | |
| • 10 | 90402-MCL-000 | WASHER, 12.5×34×5 | 1 1 | | | | | | |
| • 11 | 90701-NX5-000 | KEY, 4×4×7 | 1 1 | | | | | | |
| • 12 | 91001-NX5-003 | BEARING, ball radial, 6305L | 1 1 | | | | | | |
| • 13 | 91003-NX5-003 | BEARING, ball radial, 6305R | 1 1 | | | | | | |
| • 14 | 91101-NX5-023 | BEARING, con-rod small end | 2 2 | | | | | | |
| 15 | 91201-KM4-003 | OIL SEAL, 25×38×8 | 1 1 | | | | | | |
| • 16 | 91202-NX5-771 | OIL SEAL, 34×62×6 | 1 1 | | | | | | |
| 17 | 94560-62200 | SNAP RING, 62mm | 1 1 | | | | | | |

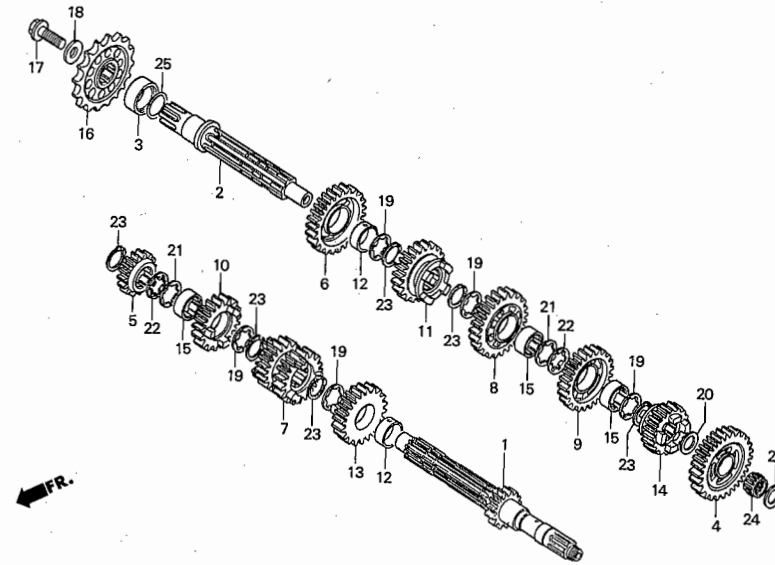
Block No.

E-9

Transmission

2001 RS250R

2002 RS250R



| Ref. No. | Part No. | Description | Reqd. No. | | Remarks | Ref. No. | Part No. | Description | Reqd. No. | | Remarks |
|----------|---------------|---------------------------------|-----------|-----|---------|----------|---------------|---------------------------------|-----------|-----|---------|
| | | | '01 | '02 | | | | | '01 | '02 | |
| • 1 | 23211-NXA-000 | SHAFT COMP., main, plan-1 | (1) | (1) | 15T | • | 23446-NX5-000 | GEAR, M-3rd · 4th, plan-6 | (1) | (1) | 18/20T |
| • | 23212-NXA-000 | SHAFT COMP., main, plan-2 | 1 | 1 | 14T | • 8 | 23461-NX5-000 | GEAR, C-3rd, plan-1 | (1) | (1) | 27T |
| • | 23214-NXA-000 | SHAFT COMP., main, plan-4 | (1) | (1) | 16T | • | 23462-NX5-000 | GEAR, C-3rd, plan-2 | 1 | 1 | 27T |
| • 2 | 23221-NXA-610 | COUNTERSHAFT | - | 1 | | • | 23463-NX5-000 | GEAR, C-3rd, plan-3 | (1) | (1) | 26T |
| • | 23221-NX5-000 | COUNTERSHAFT | 1 | - | | • 9 | 23471-NX5-000 | GEAR, C-4th, plan-1 | (1) | (1) | 26T |
| • 3 | 23225-NX5-000 | COLLAR, countershaft | 1 | 1 | | • | 23472-NX5-000 | GEAR, C-4th, plan-2 | (1) | (1) | 28T |
| • 4 | 23411-NX5-000 | GEAR, C-1st, plan-1 | (1) | (1) | 35T | • | 23473-NX5-000 | GEAR, C-4th, plan-3 | 1 | 1 | 31T |
| • | 23412-NX5-000 | GEAR, C-1st, plan-2 | 1 | 1 | 31T | • | 23474-NX5-000 | GEAR, C-4th, plan-4 | (1) | (1) | 25T |
| • | 23413-NX5-000 | GEAR, C-1st, plan-3 | (1) | (1) | 30T | • 10 | 23481-NX5-000 | GEAR, M-5th, plan-1 | (1) | (1) | 22T |
| • | 23414-NX5-000 | GEAR, C-1st, plan-4 | (1) | (1) | 33T | • | 23503-NX5-000 | GEAR, M-6th, plan-3 | 1 | 1 | 21T |
| • 5 | 23421-NX5-000 | GEAR, M-2nd, plan-1 | (1) | (1) | 17T | • 11 | 23491-NX5-000 | GEAR, C-5th, plan-1 | (1) | (1) | 27T |
| • | 23422-NX5-000 | GEAR, M-2nd, plan-2 | 1 | 1 | 16T | • | 23511-NX5-000 | GEAR, C-6th, plan-1 | 1 | 1 | 24T |
| • | 23424-NX5-000 | GEAR, M-2nd, plan-4 | (1) | (1) | 18T | • 12 | 23495-NXA-000 | COLLAR, 25 × 28 × 10.5 | 2 | 2 | |
| • 6 | 23431-NX5-000 | GEAR, C-2nd, plan-1 | (1) | (1) | 32T | • 13 | 23501-NX5-000 | GEAR, M-6th, plan-1 | (1) | (1) | 20T |
| • | 23432-NX5-000 | GEAR, C-2nd, plan-2 | (1) | (1) | 29T | • | 23502-NX5-000 | GEAR, M-6th, plan-2 | (1) | (1) | 23T |
| • | 23433-NX5-000 | GEAR, C-2nd, plan-3 | 1 | 1 | 28T | • | 23503-NX5-000 | GEAR, M-6th, plan-3 | (1) | (1) | 21T |
| • | 23434-NX5-000 | GEAR, C-2nd, plan-4 | (1) | (1) | 31T | • | 23504-NX5-000 | GEAR, M-6th, plan-4 | (1) | (1) | 26T |
| • 7 | 23441-NX5-000 | GEAR, M-3rd · 4th, plan-1 | (1) | (1) | 17/19T | • | 23505-NX5-000 | GEAR, M-6th, plan-5 | (1) | (1) | 24T |
| • | 23442-NX5-000 | GEAR, M-3rd · 4th, plan-2 | (1) | (1) | 17/21T | • | 23506-NX5-000 | GEAR, M-6th, plan-6 | 1 | 1 | 22T |
| • | 23443-NX5-000 | GEAR, M-3rd · 4th, plan-3 | (1) | (1) | 17/24T | • 14 | 23511-NX5-000 | GEAR, C-6th, plan-1 | (1) | (1) | 24T |
| • | 23444-NX5-000 | GEAR, M-3rd · 4th, plan-4 | (1) | (1) | 18/21T | • | 23512-NX5-000 | GEAR, C-6th, plan-2 | (1) | (1) | 27T |
| • | 23445-NX5-000 | GEAR, M-3rd · 4th, plan-5 | 1 | 1 | 18/24T | • | 23514-NX5-000 | GEAR, C-6th, plan-4 | (1) | (1) | 29T |

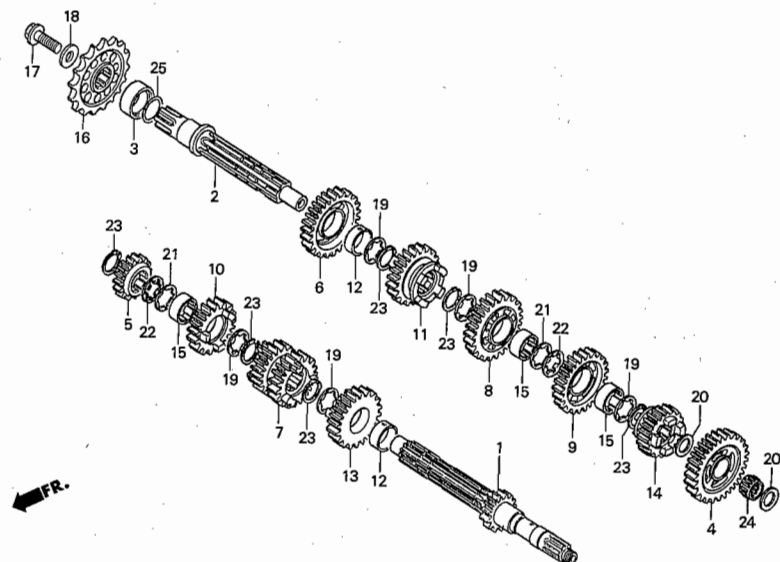
Block No.

E-9

Transmission

2001 RS250R

2002 RS250R

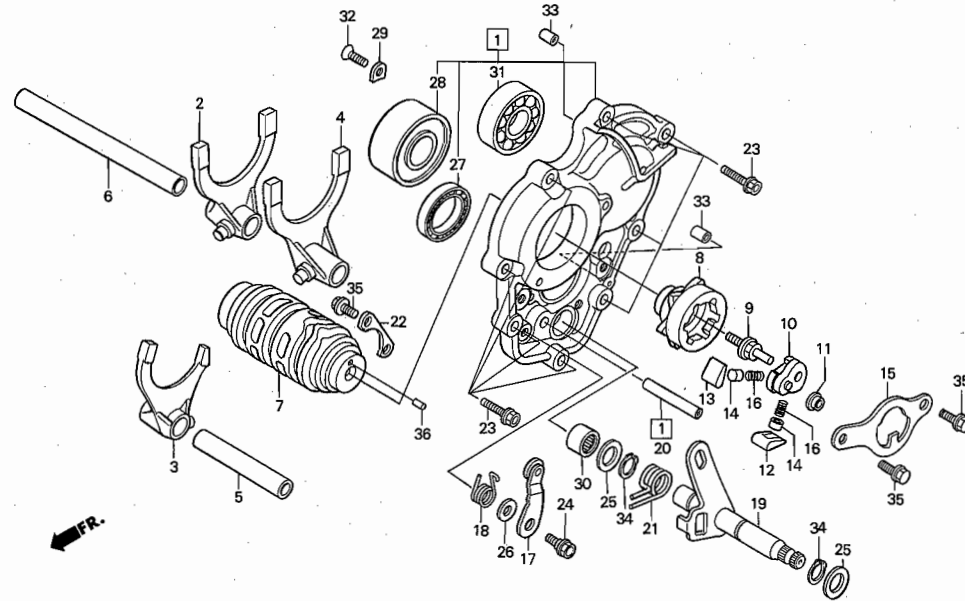


| Ref. No. | Part No. | Description | Reqd. No. '01 '02 | Remarks | Ref. No. | Part No. | Description | Reqd. No. '01 '02 | Remarks |
|----------|---------------|--------------------------------|-------------------|---------|----------|----------|-------------|-------------------|---------|
| • | 23515-NX5-000 | GEAR, C-6th, plan-5..... | (1) (1) | 26T | | | | | |
| • | 23516-NX5-000 | GEAR, C-6th, plan-6..... | 1 1 | 23T | | | | | |
| 15 | 23512-KV3-770 | COLLAR, spline, 25×10.5..... | 3 3 | | | | | | |
| • 16 | 23802-NX5-770 | SPROCKET, drive, 15T..... | (1) (1) | | | | | | |
| • | 23803-NX5-770 | SPROCKET, drive, 16T..... | 1 1 | | | | | | |
| • | 23804-NX5-770 | SPROCKET, drive, 17T..... | (1) (1) | | | | | | |
| • | 23805-NX5-770 | SPROCKET, drive, 18T..... | (1) (1) | | | | | | |
| • 17 | 90001-NXA-610 | BOLT, flange, UBS 10×45..... | - 1 | | | | | | |
| • | 90013-NXA-000 | BOLT, flange, UBS 12×28..... | 1 - | | | | | | |
| 18 | 90402-PC6-000 | WASHER, 12.5×34×5..... | 1 - | | | | | | |
| | 90421-KAE-740 | WASHER, 10mm..... | - 1 | | | | | | |
| 19 | 90451-KE8-000 | WASHER, spline, 25mm..... | 5 5 | t1.5 | | | | | |
| 20 | 90454-428-000 | WASHER, thrust, 20mm..... | 2 2 | | | | | | |
| 21 | 90461-286-000 | WASHER, B, thrust, 25mm..... | 2 2 | t1.6 | | | | | |
| 22 | 90462-323-000 | WASHER, lock, 25mm..... | 2 2 | t2.0 | | | | | |
| 23 | 90601-107-000 | CIRCLIP, 25mm..... | 6 6 | | | | | | |
| 24 | 91026-MN0-003 | BEARING, needle, 20×24×11..... | 1 1 | | | | | | |
| 25 | 91201-ML3-873 | D-RING, 23.75..... | 1 1 | | | | | | |

Block No.

E-10

Gearshift fork /
Gearshift drum
2001 RS250R
2002 RS250R



| Ref. No. | Part No. | Description | Reqd. No. '01 '02 | Remarks | Ref. No. | Part No. | Description | Reqd. No. '01 '02 | Remarks |
|----------|---------------|--|-------------------|-------------|----------|----------------|------------------------------------|-------------------|---------|
| • 1 | 11130-NXA-000 | HOLDER COMP., transmission bearing | 1 1 | | • 20 | 24615-NX5-300 | PIN, shift stopper | 1 1 | |
| • 2 | 24211-NXA-000 | FORK, R. gear shif..... | 1 1 | | 21 | 24651-MW0-000 | SPRING, shift return | 1 1 | |
| • 3 | 24221-NXA-000 | FORK, C. gear shif..... | 1 1 | | 22 | 24655-KV3-000 | PLATE, bearing set..... | 1 1 | |
| • 4 | 24231-NXA-000 | FORK, L. gear shif | 1 1 | | 23 | 90004-GHB-680 | BOLT, flange, NSHF, 6×28 | 8 8 | |
| • 5 | 24265-KA3-760 | SHAFT, shift fork M | 1 1 | | 24 | 90022-MG8-000 | PIVOT, shift drum stopper..... | 1 1 | |
| • 6 | 24266-NX5-000 | SHAFT C, shift fork..... | 1 1 | | 25 | 90428-958-000 | WASHER, thrust 14mm B | 2 2 | |
| • 7 | 24311-NXA-000 | DRUM, gear shift..... | 1 1 | 1 up 5 down | 26 | 90435-HB3-000 | WASHER, 6.1mm..... | 1 1 | |
| • 8 | 24311-NXA-800 | DRUM, gear shift..... | (1) (1) | 1 down 5 up | 27 | 91004-KY4-900 | BEARING, ball radial, 6905U | 1 1 | |
| • 9 | 24312-NX5-000 | CENTER, shift drum | 1 1 | | • 28 | 91011-NX5-000 | BEARING, ball 5205Z..... | 1 1 | |
| 9 | 24315-HA0-000 | PIN, shifter..... | 1 1 | | 29 | 91012-KA3-710 | PLATE, countershaft bearing..... | 1 1 | |
| 10 | 24321-KW6-902 | SHIFTER, drum | 1 1 | | 30 | 91101-121-691 | BEARING, needle, (7E-HK1412) | 1 1 | |
| 11 | 24322-HA0-000 | COLLAR, shifter | 1 1 | | 31 | 91102-GE1-711 | BEARING, radial, 6204 | 1 1 | |
| 12 | 24324-KA3-711 | PAWL A, ratchet..... | 1 1 | | 32 | 93600-06012-0A | SCREW, flat, 6×12..... | 1 1 | |
| 13 | 24325-KA3-711 | PAWL B, ratchet..... | 1 1 | | 33 | 94303-08140 | DOWEL PIN, 8×14..... | 2 2 | |
| 14 | 24326-KBH-901 | PLUNGER, pawl | 2 2 | | 34 | 94510-14000 | CIRCLIP, external 14..... | 2 2 | |
| • 15 | 24328-NX5-000 | PLATE, guide..... | 1 1 | | 35 | 96001-06014-00 | BOLT, flange, SH, 6×14..... | 4 4 | |
| 16 | 24329-KA3-740 | SPRING, pawl plunger..... | 2 2 | | 36 | 96220-40080 | ROLLER, 4×8..... | 1 1 | |
| 17 | 24430-KA3-740 | STOPPER COMP., drum | 1 1 | | | | | | |
| 18 | 24435-KZ4-690 | SPRING, drum stopper | 1 1 | | | | | | |
| • 19 | 24610-NX5-000 | SPINDLE COMP., gear shift..... | 1 1 | | | | | | |

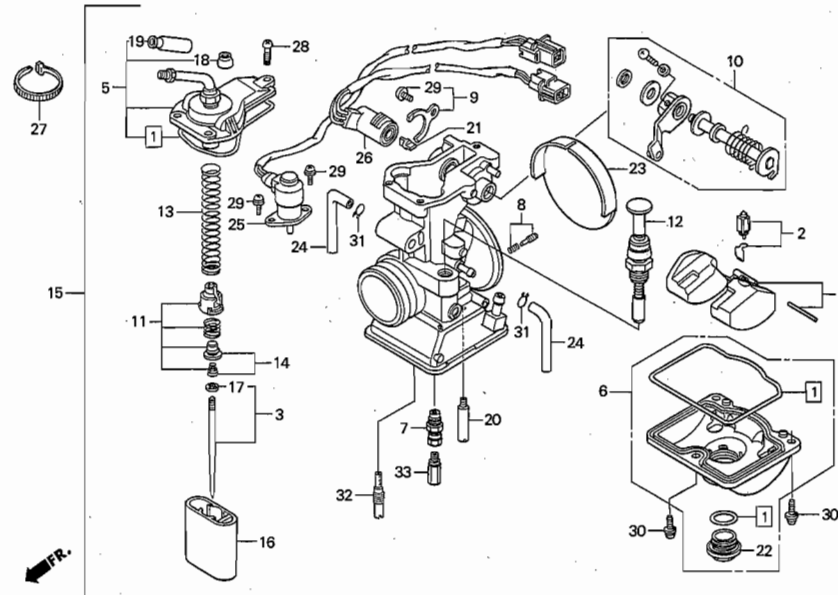
Block No.

E-11

Carburetor

2001 RS250R

2002 RS250R



| Ref. No. | Part No. | Description | Reqd. No. '01 '02 | Remarks | Ref. No. | Part No. | Description | Reqd. No. '01 '02 | Remarks |
|----------|---------------|---|-------------------|---------|----------|---------------|--------------------------------|-------------------|--------------------------|
| • 1 | 16010-NX4-780 | GASKET SET | 1 1 | | • | 16017-NX5-791 | HOLDER SET, main jet | (1) (1) | MARK39 |
| 2 | 16011-KA3-741 | VALVE SET, float..... | 1 1 | | • | 16041-NX5-791 | HOLDER SET, main jet | 1 1 | MARK37 |
| • 3 | 16012-NX4-780 | NEEDLE SET, jet 1267/3466/2351/1159 | 1 1 | 67-34 | • 8 | 16017-NX6-000 | SCREW SET, A | 1 1 | |
| • | 16201-NX4-780 | NEEDLE SET, jet 1265/3466/2351/1159 | (1) (1) | 65-34 | • 9 | 16018-NX4-780 | SET PLATE, set | 1 1 | #2 |
| • | 16202-NX4-780 | NEEDLE SET, jet 1266/3466/2351/1159 | (1) (1) | 66-34 | • 10 | 16033-NX4-780 | LEVER COMP SET, throttle..... | 1 1 | #2 |
| • | 16203-NX4-780 | NEEDLE SET, jet 1268/3466/2351/1159 | (1) (1) | 68-34 | | | | | |
| • | 16204-NX4-780 | NEEDLE SET, jet 1269/3466/2351/1159 | (1) (1) | 69-34 | • 11 | 16037-NX4-781 | SPRING SET, throttle | 1 1 | |
| • | 16205-NX4-780 | NEEDLE SET, jet 1270/3466/2351/1159 | (1) (1) | 70-34 | • 12 | 16046-NX4-681 | VALVE, starter | 1 1 | |
| • | 16206-NX4-780 | NEEDLE SET, jet 1271/3466/2351/1159 | (1) (1) | 71-34 | • 13 | 16050-NX5-791 | SPRING, compression coil | 1 1 | |
| • | 16207-NX4-780 | NEEDLE SET, jet 1272/3466/2351/1159 | (1) (1) | 72-34 | • 14 | 16070-NX4-781 | SET COLLAR SET, spring..... | 1 1 | |
| • | 16230-NX4-780 | NEEDLE SET, jet 1265/3366/2350/1159 | (1) (1) | 65-33 | • 15 | 16101-NXA-003 | CARBURETOR ASSY. #1 | 1 (1) | |
| • | 16231-NX4-780 | NEEDLE SET, jet 1266/3366/2350/1159 | (1) (1) | 66-33 | • | 16101-NXA-611 | CARBURETOR ASSY. #1 | (1) 1 | |
| • | 16232-NX4-780 | NEEDLE SET, jet 1267/3366/2350/1159 | (1) (1) | 67-33 | • | 16102-NXA-003 | CARBURETOR ASSY. #2 | 1 (1) | contains throttle sensor |
| • | 16233-NX4-780 | NEEDLE SET, jet 1268/3366/2350/1159 | (1) (1) | 68-33 | • | 16102-NXA-611 | CARBURETOR ASSY. #2 | (1) 1 | contains throttle sensor |
| • | 16234-NX4-780 | NEEDLE SET, jet 1269/3366/2350/1159 | (1) (1) | 69-33 | | | | | |
| • | 16235-NX4-780 | NEEDLE SET, jet 1270/3366/2350/1159 | (1) (1) | 70-33 | • 16 | 16111-NX4-780 | THROTTLE VALVE #6.0 | (1) (1) | |
| • | 16236-NX4-780 | NEEDLE SET, jet 1271/3366/2350/1159 | (1) (1) | 71-33 | • | 16112-NX4-780 | THROTTLE VALVE #5.0 | (1) (1) | |
| • | 16237-NX4-780 | NEEDLE SET, jet 1272/3366/2350/1159 | (1) (1) | 72-33 | • | 16113-NX4-780 | THROTTLE VALVE #5.5 | 1 1 | |
| • 4 | 16013-NX4-780 | FLOAT SET | 1 1 | | • 17 | 16115-GHB-610 | CLIP, bar | 1 1 | |
| • 5 | 16014-NX4-711 | TOP SET | 1 1 | | • 18 | 16118-NX4-711 | CAP, rubber | 1 1 | |
| | | | | | • 19 | 16118-166-004 | CAP, cable sealing | 1 1 | |
| • 6 | 16015-NX4-780 | CHAMBER SET, float..... | 1 1 | | • 20 | 16121-NX5-791 | JET COMP., power jet #38 | (1) (1) | |
| • 7 | 16017-NX4-780 | HOLDER SET, main jet | (1) (1) | MARK36 | • | 16122-NX4-780 | JET COMP., power jet #40 | 1 (1) | |

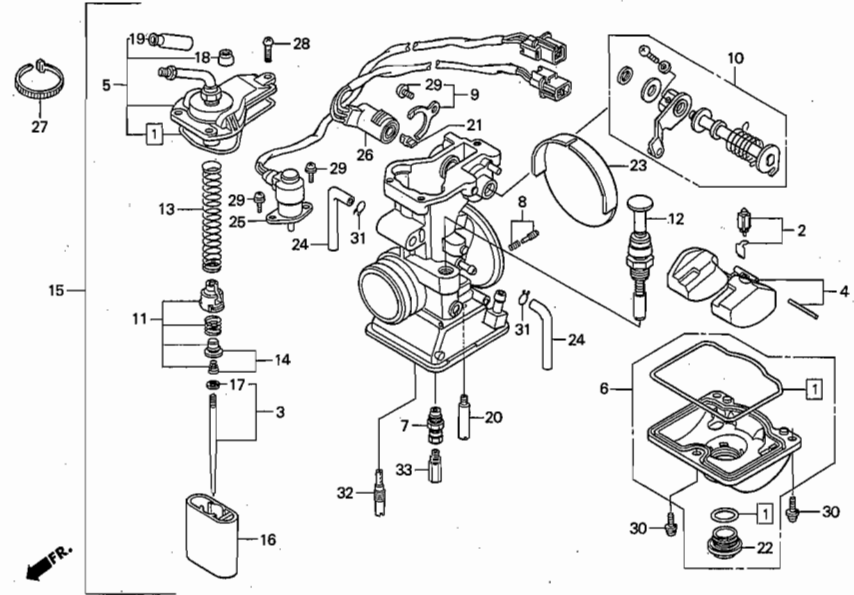
Block No.

E-11

Carburetor

2001 RS250R

2002 RS250R

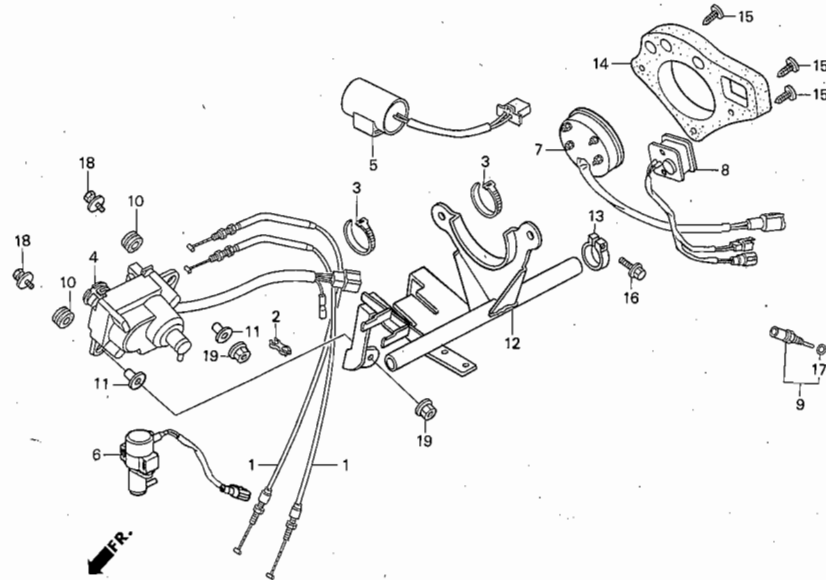


| Ref. No. | Part No. | Description | Reqd. No. | | Remarks | Ref. No. | Part No. | Description | Reqd. No. | | Remarks |
|----------|----------------|----------------------|-----------|-----|---------|----------|----------|-------------|-----------|-----|---------|
| | | | '01 | '02 | | | | | '01 | '02 | |
| | 99113-GHB-2000 | JET, main #200 | (1) | (1) | #2 | | | | | | |
| • | 99113-GHB-2050 | JET, main #205 | (1) | (1) | | | | | | | |
| • | 99113-GHB-2100 | JET, main #210 | (1) | (1) | | | | | | | |
| • | 99113-GHB-2150 | JET, main #215 | (1) | (1) | | | | | | | |

Block No.

F-1

Servo motor / Meter /
Meter panel
2001 RS250R
2002 RS250R

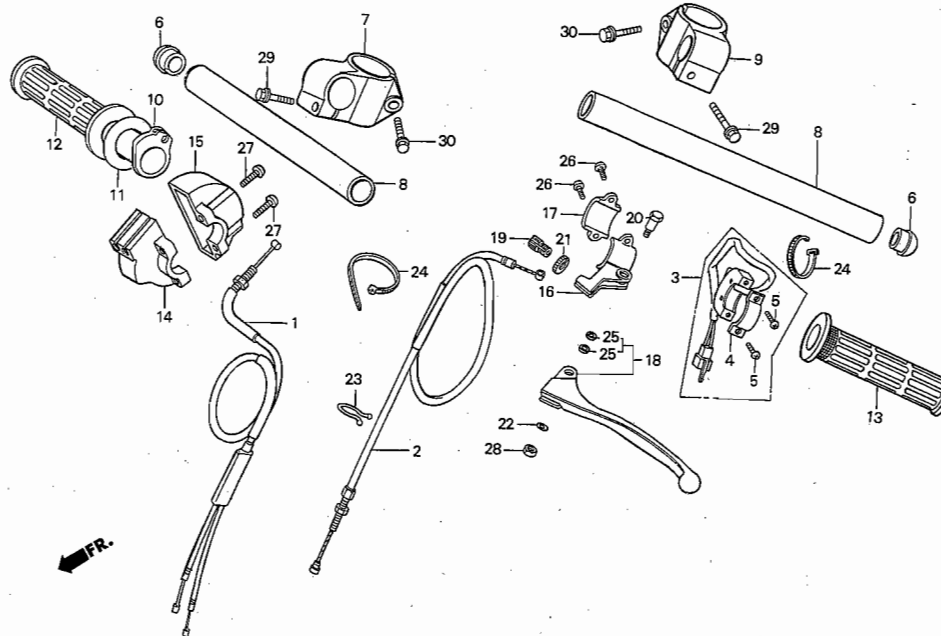


| Ref. No. | Part No. | Description | Reqd. No. | | Remarks | Ref. No. | Part No. | Description | Reqd. No. | | Remarks |
|----------|----------------|-----------------------------------|-----------|-----|---------|----------|----------|-------------|-----------|-----|---------|
| | | | '01 | '02 | | | | | '01 | '02 | |
| • 1 | 17950-NX5-000 | CABLE COMP., control | 2 | 2 | | | | | | | |
| • 2 | 17955-NF5-750 | HOLDER, cable | 1 | 1 | | | | | | | |
| • 3 | 22872-NF5-760 | BAND 200 | 2 | 2 | | | | | | | |
| • 4 | 31420-NF5-761 | MOTOR ASSY., servo | 1 | 1 | | | | | | | |
| • 5 | 31700-NX5-000 | UNIT ASSY., condenser | 1 | 1 | | | | | | | |
| • 6 | 36190-NX5-770 | VALVE ASSY., ram solenoid | 1 | 1 | | | | | | | |
| • 7 | 37250-NX4-731 | TACHOMETER ASSY. | 1 | 1 | | | | | | | |
| • 8 | 37460-NX4-701 | INDICATOR ASSY., water temp | 1 | 1 | | | | | | | |
| • 9 | 37870-NF4-611 | SENSOR ASSY., T.W. | 1 | 1 | | | | | | | |
| • 10 | 43516-HA2-000 | RUBBER, oil cup mount | 2 | 2 | | | | | | | |
| • 11 | 50324-425-010 | COLLAR, 6.3×13 | 2 | 2 | | | | | | | |
| • 12 | 50810-NXA-000 | STAY COMP., center cowl | 1 | 1 | | | | | | | |
| • 13 | 50811-NX4-680 | BAND, D25 | 1 | 1 | | | | | | | |
| • 14 | 50815-NXA-610 | PANEL, meter | (1) | 1 | | | | | | | |
| • | 50815-NX4-000 | PANEL, meter | 1 | - | | | | | | | |
| • 15 | 50816-NX4-000 | CLIP, X'mas tree | 3 | 3 | | | | | | | |
| • 16 | 90004-GHB-670 | BOLT, flange, SHF, 6×25 | 1 | 1 | | | | | | | |
| • 17 | 91307-PK2-005 | O-RING, 9.5×1.5 | 1 | 1 | | | | | | | |
| • 18 | 93404-06028-00 | BOLT WASHER, 6×28 | 2 | 2 | | | | | | | |
| • 19 | 94050-06000 | NUT, flange, 6 mm | 2 | 2 | | | | | | | |

Block No.

F-2

Cable / Switch /
Handlebar
2001 RS250R
2002 RS250R

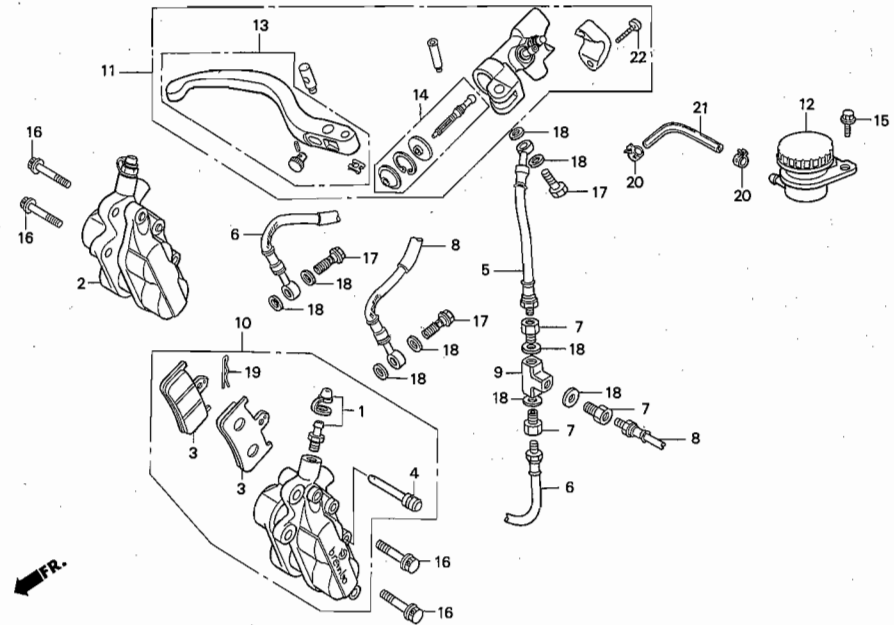


| Ref. No. | Part No. | Description | Reqd. No. '01 '02 | Remarks | Ref. No. | Part No. | Description | Reqd. No. '01 '02 | Remarks |
|----------|---------------|---------------------------------|-------------------|---------|----------|----------------|------------------------------------|-------------------|---------|
| • 1 | 17910-NXA-000 | CABLE COMP., throttle..... | 1 1 | | 21 | 90321-KF0-000 | NUT, fixing..... | 1 1 | |
| • 2 | 22870-NX5-000 | CABLE COMP., clutch | 1 1 | | • 22 | 90501-NX5-680 | COLLAR, 6×8.5×1.2..... | 1 1 | |
| • 3 | 35130-NX5-000 | SWITCH ASSY., engine stop | 1 1 | | 23 | 90659-MR5-000 | CLIP harness..... | 1 1 | |
| 4 | 35132-KR5-013 | PLATE, set..... | 1 1 | | 24 | 91058-MG9-681 | BAND, self lock..... | 2 2 | |
| 5 | 35133-KJ2-003 | SCREW, pan, 4×12..... | 2 2 | | • 25 | 91058-NX6-801 | BEARING, ball radial 6×10×2.5..... | 2 2 | |
| • 6 | 53105-NF4-770 | CAP, handle pipe..... | 2 2 | | 26 | 93500-05016-0A | SCREW, pan, 5×16..... | 2 2 | |
| • 7 | 53110-NXA-000 | HOLDER, R. handle | 1 1 | | 27 | 93500-05020-0G | SCREW, pan, 5×20..... | 2 2 | |
| • 8 | 53111-NX4-000 | HANDLEBAR | 2 2 | | 28 | 94001-06000-0S | NUT, hex. 6 mm..... | 1 1 | |
| • 9 | 53120-NXA-000 | HOLDER, L. handle..... | 1 1 | | 29 | 96001-06022-00 | BOLT, flange, SH, 6×22..... | 2 2 | |
| • 10 | 53141-NX5-770 | PIPE, throttle grip..... | 1 1 | | 30 | 96500-08035-00 | BOLT, flange, DR, 8×35..... | 2 2 | |
| • 11 | 53142-NX5-770 | RING leaf..... | 1 1 | | | | | | |
| 12 | 53165-ML7-010 | GRIP, R. handle..... | 1 1 | | | | | | |
| 13 | 53166-ML7-000 | GRIP, L. handle..... | 1 1 | | | | | | |
| • 14 | 53167-NX5-950 | HOUSING, A grip..... | 1 1 | | | | | | |
| • 15 | 53168-NX5-950 | HOUSING, B grip..... | 1 1 | | | | | | |
| 16 | 53172-430-003 | BRACKET, L. handle lever | 1 1 | | | | | | |
| 17 | 53173-376-000 | HOLDER, lever bracket..... | 1 1 | | | | | | |
| • 18 | 53178-NX5-680 | LEVER, L. steering handle..... | 1 1 | | | | | | |
| 19 | 53192-KA4-710 | BOLT, wire adjust..... | 1 1 | | | | | | |
| • 20 | 90114-NX5-680 | BOLT, lever pivot..... | 1 1 | | | | | | |

Block No.

F-3

Front brake caliper /
Front brake master cylinder
2001 RS250R
2002 RS250R

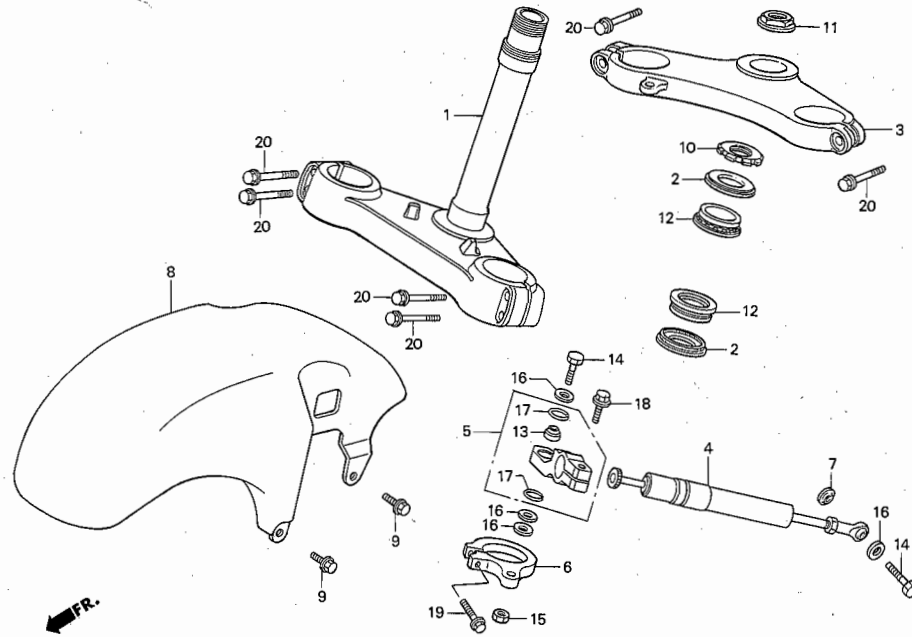


| Ref. No. | Part No. | Description | Reqd. No. | | Remarks | Ref. No. | Part No. | Description | Reqd. No. | | Remarks |
|----------|----------------|--|-----------|-----|--------------|----------|----------------|---------------------------|-----------|-----|---------|
| | | | '01 | '02 | | | | | '01 | '02 | |
| • 1 | 43352-NX5-004 | BLEEDER COMP..... | 2 | 2 | | • 21 | 95003-11015-60 | VINYL-TUBE, 5×9×150 | 1 | 1 | |
| • 2 | 45100-NX5-770 | CALIPER ASSY., R. front..... | 1 | 1 | | • 22 | 96600-06020-07 | BOLT, socket 6×20..... | 2 | 2 | |
| • 3 | 45105-NX4-770 | PAD COMP., brake (t9.2, Silver)..... | 4 | 4 | for SUS disk | | | | | | |
| • 4 | 45109-NX5-004 | PIN, hanger | 2 | 2 | | | | | | | |
| • 5 | 45125-NX5-681 | HOSE A, front brake | 1 | 1 | | | | | | | |
| • 6 | 45126-NX5-681 | HOSE B, R. front brake | 1 | 1 | | | | | | | |
| • 7 | 45127-KZ4-003 | JOINT, brake hose | 3 | 3 | | | | | | | |
| • 8 | 45127-NX5-681 | HOSE B, L. front brake..... | 1 | 1 | | | | | | | |
| • 9 | 45129-NX5-680 | JOINT, 3WAY | 1 | 1 | | | | | | | |
| • 10 | 45200-NX5-770 | CALIPER ASSY., L. front..... | 1 | 1 | | | | | | | |
| • 11 | 45500-NX5-680 | MASER CYLINDER ASSY., front brake..... | 1 | 1 | brenbo | | | | | | |
| • 12 | 45520-NX6-000 | CUP ASSY., front master cylinder | 1 | 1 | | | | | | | |
| • 13 | 53175-NX5-680 | LEVER SET, front brake L20..... | 1 | 1 | | | | | | | |
| • 14 | 53176-NX5-680 | PUSH ROD SET | 1 | 1 | | | | | | | |
| • 15 | 90108-GK1-000 | BOLT, flange, SH, 6×12..... | 1 | 1 | | | | | | | |
| • 16 | 90111-NX4-710 | BOLT, flange, 10×31..... | 4 | 4 | | | | | | | |
| • 17 | 90145-NX4-710 | OIL BOLT, 10×21.5..... | 3 | 3 | | | | | | | |
| • 18 | 90601-ZE1-000 | WASHER, plug drain, 10 mm | 9 | 9 | | | | | | | |
| • 19 | 94251-05000 | PIN, lock, 5 mm | 1 | 1 | | | | | | | |
| • 20 | 95002-40850-08 | CLAMP, D 8.5 TUBE..... | 2 | 2 | | | | | | | |

Block No.

F-4

Steering stem / Steering damper /
Front fender
2001 RS250R
2002 RS250R



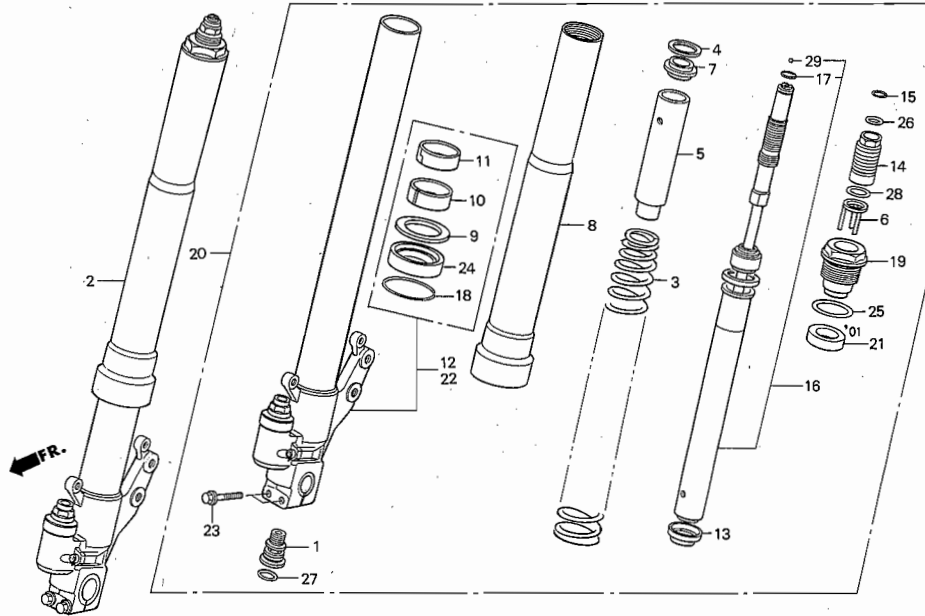
| Ref. No. | Part No. | Description | Reqd. No. '01 '02 | Remarks | Ref. No. | Part No. | Description | Reqd. No. '01 '02 | Remarks |
|----------|----------------|------------------------------------|-------------------|---------|----------|----------------|-----------------------------|-------------------|---------|
| • 1 | 53200-NXA-000 | STEM COMP., steering (32.5)..... | 1 1 | | 19 | 96001-06035-00 | BOLT, flange, SH, 6×35..... | 1 1 | |
| • 2 | 53214-MR7-003 | DUST SEAL, steering head..... | 2 2 | | 20 | 96500-08035-00 | BOLT, flange, DR, 8×35..... | 6 6 | |
| • 3 | 53230-NXA-000 | BRIDGE, fork top (32.5)..... | 1 1 | | | | | | |
| • 4 | 53700-NXA-003 | DAMPER ASSY., steering..... | 1 - | | | | | | |
| • | 53700-NXA-611 | DAMPER ASSY., steering..... | (1) 1 | | | | | | |
| • 5 | 53705-NF5-760 | HOLDER ASSY., steering damper..... | 1 1 | | | | | | |
| • 6 | 53710-NXA-000 | STAY, steering damper..... | 1 1 | | | | | | |
| • 7 | 53713-NC8-000 | SPACER, steering damper..... | 1 1 | | | | | | |
| • 8 | 61100-NXA-000 | FENDER, front..... | 1 - | | | | | | |
| • | 61100-NXA-610 | FENDER, front..... | (1) 1 | | | | | | |
| • 9 | 90108-GK1-000 | BOLT, flange, SH, 6×12..... | 4 4 | | | | | | |
| • 10 | 90302-MR7-000 | THREAD B, steering head top..... | 1 1 | | | | | | |
| • 11 | 90302-NF5-760 | NUT, steering stem..... | 1 1 | | | | | | |
| • 12 | 91016-MR7-003 | BEARING, head pipe..... | 2 2 | | | | | | |
| • 13 | 91060-NL0-003 | BEARING, spherical, 8 mm..... | 1 1 | | | | | | |
| • 14 | 92201-08035-0A | BOLT, hex., 8×35..... | 2 2 | | | | | | |
| • 15 | 94002-08000-0S | NUT, hex., 8 mm..... | 1 1 | | | | | | |
| • 16 | 94102-08000 | WASHER, plain, 8 mm..... | 4 4 | | | | | | |
| • 17 | 94601-17000 | CLIP, piston pin, 17 mm..... | 2 2 | | | | | | |
| • 18 | 96001-06028-00 | BOLT, flange, SH, 6×28..... | 1 1 | | | | | | |

Block No.

F-5

Front fork

2001 RS250R
2002 RS250R



| Ref. No. | Part No. | Description | Reqd. No. '01 '02 | Remarks | Ref. No. | Part No. | Description | Reqd. No. '01 '02 | Remarks |
|----------|---------------|----------------------------------|-------------------|---------|----------|---------------|------------------------------|-------------------|---------|
| • 1 | 51126-NXA-003 | BOLT, socket | 2 2 | | 15 | 51423-MT7-003 | RING B, stopper | 2 2 | |
| • 2 | 51400-NXA-003 | FORK ASSY., R. front | 1 - | | • 16 | 51430-NXA-003 | DAMPER COMP., front | 2 - | |
| • | 51400-NXA-611 | FORK ASSY., R. front | - 1 | | • | 51430-NXA-611 | DAMPER COMP., front | (2) 2 | |
| • 3 | 51401-NXA-003 | SPRING, front fork | 2 2 | | • 17 | 51436-NF5-761 | EXPANDER | 2 2 | |
| • | 51402-NXA-003 | SPRING, front fork (SOFT) | (2) (2) | | 18 | 51447-KA4-711 | RING, oil seal stop | 2 2 | |
| • | 51403-NXA-003 | SPRING, front fork (HARD) | (2) (2) | | 19 | 51454-MCF-003 | BOLT, front fork | 2 2 | |
| 4 | 51403-MA0-771 | SEAT, spring | 2 2 | | • 20 | 51500-NXA-003 | FORK ASSY., L. front | 1 - | |
| 5 | 51403-MCF-003 | COLLAR, spring | 2 - | l =100 | • | 51500-NXA-611 | FORK ASSY., L. front | - 1 | |
| • | 51403-NXA-003 | COLLAR, spring | (2) 2 | l =95 | | | | | |
| 6 | 51404-MT7-003 | PLATE COMP., spring adjust | 2 2 | | 21 | 51517-MCF-003 | RUBBER, stopper | 2 - | |
| 7 | 51406-MW4-003 | STOPPER, spring seat | 2 2 | | • 22 | 51520-NXA-003 | PIPE COMP., L. slide | 1 - | |
| • 8 | 51410-NXA-003 | TUBE, outer | 2 2 | | • | 51520-NXA-611 | PIPE COMP., L. slide | (1) 1 | |
| 9 | 51412-KA4-711 | RING, buck up | 2 2 | | 23 | 90109-MR7-000 | BOLT, flange, DR, 8×45 | 4 4 | |
| • 10 | 51414-NXA-003 | BUSH, guide | 2 - | | • 24 | 91255-KS6-831 | SEAL, oil, 43×54×11 | 2 - | |
| | 51414-MAZ-003 | BUSH, guide | (2) 2 | | • | 91255-MCF-003 | SEAL, oil, 43×54×11 | (2) 2 | |
| • 11 | 51415-NXA-003 | BUSH, slide | 2 - | | 25 | 91258-GF4-003 | O-RING, 44.7×2.4 | 2 2 | |
| | 51415-MAZ-003 | BUSH, slide | (2) 2 | | 26 | 91311-MR7-003 | O-RING, 13.8×2.4 | 2 2 | |
| • 12 | 51420-NXA-003 | PIPE COMP., R. slide | 1 - | | 27 | 91351-MCF-003 | O-RING, 17.8×2.4 | 2 2 | |
| • | 51420-NXA-611 | PIPE COMP., R. slide | (1) 1 | | 28 | 91351-MT7-003 | O-RING, 23.7×2.4 | 2 2 | |
| • 13 | 51421-NXA-003 | PLATE, centering | 2 2 | | 29 | 96211-04000 | BALL, steel, 4 | 2 2 | |
| 14 | 51422-MT7-003 | ADJUSTER, spring | 2 2 | | | | | | |

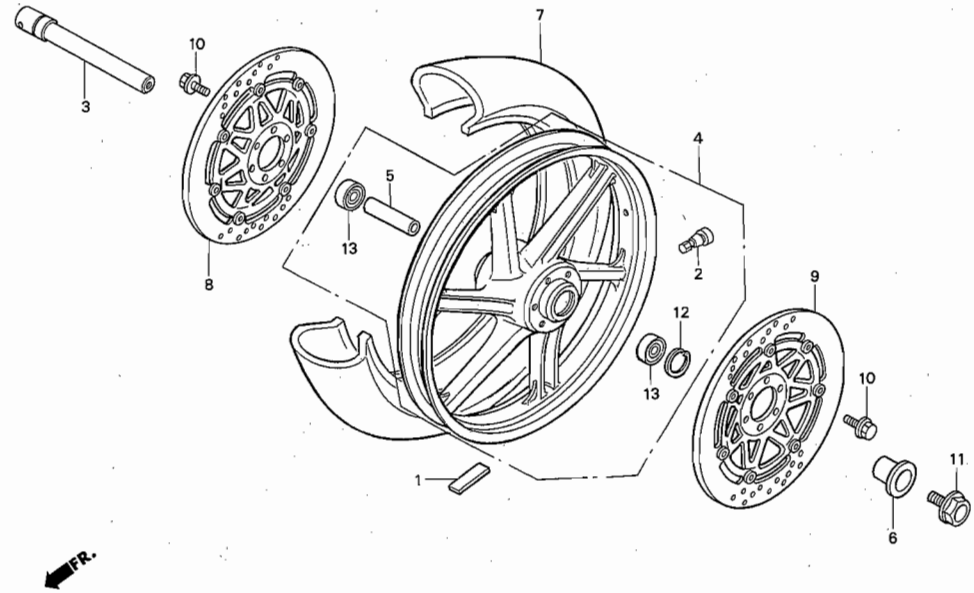
Block No.

F-6

Front wheel

2001 RS250R

2002 RS250R



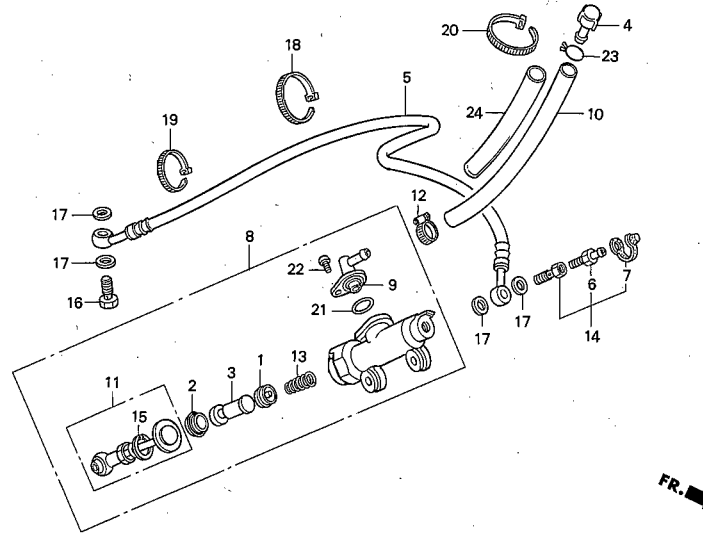
| Ref. No. | Part No. | Description | Reqd. No. | | Remarks | Ref. No. | Part No. | Description | Reqd. No. | | Remarks |
|----------|----------------|------------------------------------|-----------|-----|----------------|----------|----------|-------------|-----------|-----|---------|
| | | | '01 | '02 | | | | | '01 | '02 | |
| • 1 | 42720-NC8-000 | WEIGHT, balancer, 10G | N | N | | | | | | | |
| • | 42721-NC8-000 | WEIGHT, balancer, 20G | N | N | | | | | | | |
| 2 | 42753-ML7-004 | VALVE, rim (DUN)..... | 1 | 1 | | | | | | | |
| • 3 | 44300-NXA-000 | AXLE ASSY., front wheel..... | 1 | 1 | | | | | | | |
| • 4 | 44600-NXA-610 | WHEEL COMP., front 3.50×17 | - | 1 | Black | | | | | | |
| • | 44600-NX5-770 | WHEEL COMP., front 3.50×17 | 1 | - | White | | | | | | |
| • | 44600-NX5-850 | WHEEL COMP., front 3.75×17 | (1) | (1) | White | | | | | | |
| • 5 | 44620-ND5-750 | COLLAR, front axle center | 1 | 1 | | | | | | | |
| • 6 | 44621-NF5-750 | COLLAR, front wheel side..... | 1 | 1 | | | | | | | |
| 7 | | TIRE, front, 120/60 R17 (DUN)..... | 1 | 1 | No Sale by HRC | | | | | | |
| • 8 | 45120-NX4-681 | DISK COMP., R. front brake | 1 | 1 | SUS (Steel) | | | | | | |
| • 9 | 45220-NX5-681 | DISK COMP., L. front brake..... | 1 | 1 | SUS (Steel) | | | | | | |
| 10 | 90003-MC7-000 | BOLT, flange, 6×20 | 12 | 12 | | | | | | | |
| 11 | 90305-ML7-000 | BOLT, front axle | 1 | 1 | | | | | | | |
| 12 | 94520-42000 | CIRCLIP, internal, 42..... | 1 | 1 | | | | | | | |
| 13 | 96150-60040-10 | BEARING, ball radial, 6004 | 2 | 2 | | | | | | | |

Block No.

F-7

Rear brake master cylinder

2001 RS250R
2002 RS250R



| Ref. No. | Part No. | Description | Reqd. No. | | Remarks | Ref. No. | Part No. | Description | Reqd. No. | | Remarks |
|----------|---------------|----------------------------------|-----------|-----|---------|----------|----------------|----------------------------|-----------|-----|---------|
| | | | '01 | '02 | | | | | '01 | '02 | |
| • 1 | 04601-ND5-760 | CUP, primary..... | 1 | 1 | | 21 | 91212-422-006 | O-RING, 14.8×2.4..... | 1 | 1 | |
| • 2 | 04602-ND5-760 | CUP, secondary..... | 1 | 1 | | 22 | 93893-04012-18 | SCREW WASHER, 4×12..... | 1 | 1 | |
| • 3 | 04603-NF4-770 | PISTON, rear..... | 1 | 1 | | 23 | 95002-02120 | CLIP, B12, tube..... | 1 | 1 | |
| 4 | 17370-419-700 | PLUG, breather tube..... | 1 | 1 | | • 24 | 95003-45012-10 | VINYL-TUBE, 14×18×120..... | 1 | 1 | |
| • 5 | 43310-NXA-000 | HOSE, rear brake..... | 1 | 1 | | | | | | | |
| 6 | 43352-568-003 | SCREW, bleeder..... | 1 | 1 | | | | | | | |
| 7 | 43353-461-771 | CAP, bleeder..... | 1 | 1 | | | | | | | |
| • 8 | 43500-NF4-770 | MASTER CYLINDER ASSY., rear..... | 1 | 1 | | | | | | | |
| 9 | 43503-MB2-006 | CONNECTOR, master cylinder..... | 1 | 1 | | | | | | | |
| • 10 | 43503-NF4-000 | VINYL-TUBE, 9×13×240..... | 1 | 1 | | | | | | | |
| • 11 | 43504-NF4-770 | ROD ASSY. | 1 | 1 | | | | | | | |
| • 12 | 43541-ND5-750 | CLAMP | 1 | 1 | | | | | | | |
| • 13 | 45506-ND5-751 | SPRING | 1 | 1 | | | | | | | |
| • 14 | 45530-NF4-650 | BOLT ASSY., oil bleeder..... | 1 | 1 | | | | | | | |
| 15 | 46182-500-013 | CIRCLIP, master cylinder..... | 1 | 1 | | | | | | | |
| 16 | 90145-MS9-612 | OIL BOLT, 10×22..... | 1 | 1 | | | | | | | |
| 17 | 90601-ZE1-000 | WASHER, plug drain, 10 mm..... | 4 | 4 | | | | | | | |
| • 18 | 90651-NC8-000 | TIE-WRAP, 3.6×281..... | 1 | 1 | | | | | | | |
| • 19 | 90652-ND5-000 | TIE-WRAP, 2.4×92..... | 1 | 1 | | | | | | | |
| 20 | 91058-MG9-681 | BAND, self lock..... | 1 | 1 | | | | | | | |

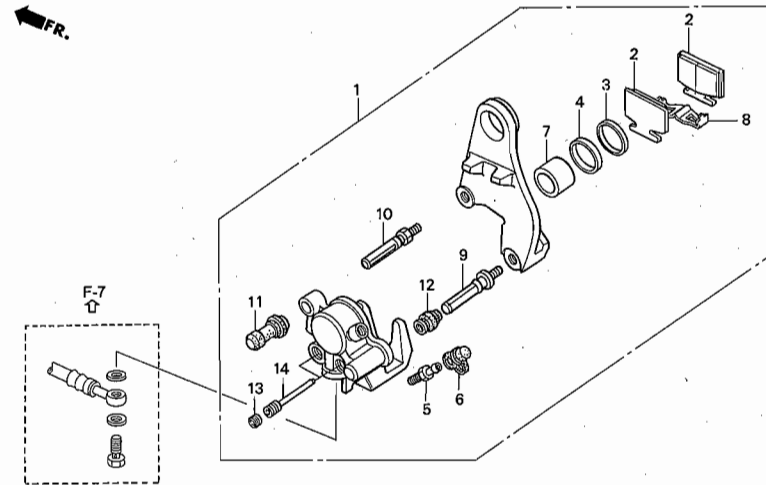
Block No.

F-8

Rear brake caliper

2001 RS250R

2002 RS250R



| Ref. No. | Part No. | Description | Reqd. No. '01 '02 | Remarks | Ref. No. | Part No. | Description | Reqd. No. '01 '02 | Remarks |
|----------|---------------|--------------------------|----------------------|---------|----------|----------|-------------|----------------------|---------|
| • 1 | 43100-NXA-000 | CALIPER ASSY., rear..... | 1 1 | | | | | | |
| • 2 | 43105-NF5-611 | PAD COMP. | 2 2 | | | | | | |
| 3 | 43109-MA3-006 | DUST SEAL..... | 1 1 | | | | | | |
| 4 | 43209-MA3-006 | SEAL, piston..... | 1 1 | | | | | | |
| 5 | 43352-568-003 | SCREW, bleeder..... | 1 1 | | | | | | |
| 6 | 43353-461-771 | CAP, bleeder..... | 1 1 | | | | | | |
| 7 | 45107-GM9-711 | PISTON..... | 1 1 | | | | | | |
| 8 | 45108-GM9-741 | SPRING, pad..... | 1 1 | | | | | | |
| 9 | 45131-HA5-672 | PIN BOLT, A..... | 1 1 | | | | | | |
| 10 | 45131-166-016 | PIN BOLT..... | 1 1 | | | | | | |
| 11 | 45132-166-016 | BUSH, pin..... | 1 1 | | | | | | |
| 12 | 45133-MA3-006 | BOOT, B..... | 1 1 | | | | | | |
| 13 | 45203-MG3-016 | PLUG, pin..... | 2 2 | | | | | | |
| 14 | 45215-GE2-016 | HANGER PIN..... | 2 2 | | | | | | |

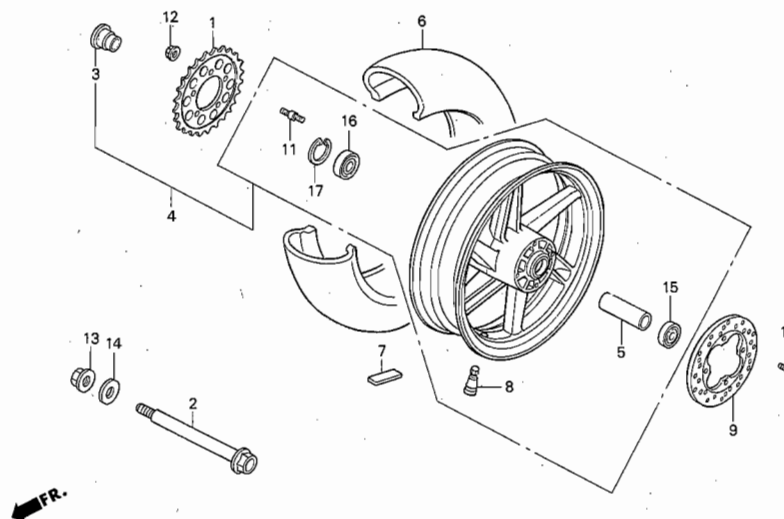
Block No.

F-9

Rear wheel

2001 RS250R

2002 RS250R



| Ref. No. | Part No. | Description | Reqd. No. '01 '02 | Remarks | Ref. No. | Part No. | Description | Reqd. No. '01 '02 | Remarks |
|----------|---------------|------------------------------------|-------------------|----------------|----------|---------------|--|-------------------|---------|
| • 1 | 41203-NXA-000 | SPROCKET, final driven, 33T..... | (1) (1) | | • 15 | 91050-NXA-003 | BEARING, ball radial, EC-6204LLU | 1 1 | |
| • | 41204-NXA-000 | SPROCKET, final driven, 34T..... | (1) (1) | | 16 | 91053-MAZ-003 | BEARING, ball radial, 6205×2 | 1 1 | |
| • | 41205-NXA-000 | SPROCKET, final driven, 35T..... | (1) (1) | | 17 | 94520-52000 | CIRCLIP, internal, 52..... | 1 1 | |
| • | 41206-NXA-000 | SPROCKET, final driven, 36T..... | 1 1 | | | | | | |
| • | 41207-NXA-000 | SPROCKET, final driven, 37T..... | (1) (1) | | | | | | |
| • | 41208-NXA-000 | SPROCKET, final driven, 38T..... | (1) (1) | | | | | | |
| • 2 | 42301-NXA-000 | AXLE, rear wheel | 1 1 | | | | | | |
| • 3 | 42304-NXA-000 | COLLAR, rear wheel side | 1 1 | | | | | | |
| • 4 | 42610-NXA-000 | WHEEL SET, rear 5.50×17 | 1 - | White | | | | | |
| • | 42610-NXA-610 | WHEEL SET, rear 5.50×17 | - 1 | Black | | | | | |
| • 5 | 42620-NXA-000 | COLLAR, rear wheel distance | 1 1 | | | | | | |
| 6 | | TIRE, rear, 165/55 R17 (DUN) | 1 1 | No Sale by HRC | | | | | |
| • 7 | 42720-NC8-000 | WEIGHT, balancer, 10G | N N | | | | | | |
| • | 42721-NC8-000 | WEIGHT, balancer, 20G | N N | | | | | | |
| 8 | 42753-ML7-004 | VALVE, rim (DUN) | 1 1 | | | | | | |
| 9 | 45351-KAB-000 | DISK, L. front brake | 1 1 | | | | | | |
| 10 | 90112-GZ0-000 | BOLT, disk 8×20 | 4 4 | | | | | | |
| 11 | 90135-HA7-770 | BOLT, stud 2, 10×22 | 5 5 | | | | | | |
| 12 | 90304-GE8-003 | NUT, U, flange, 10 mm | 5 5 | | | | | | |
| 13 | 90305-KZ4-891 | NUT, U, 18 mm | 1 1 | | | | | | |
| 14 | 90401-KZ4-890 | WASHER 18×32×2 | 1 1 | | | | | | |

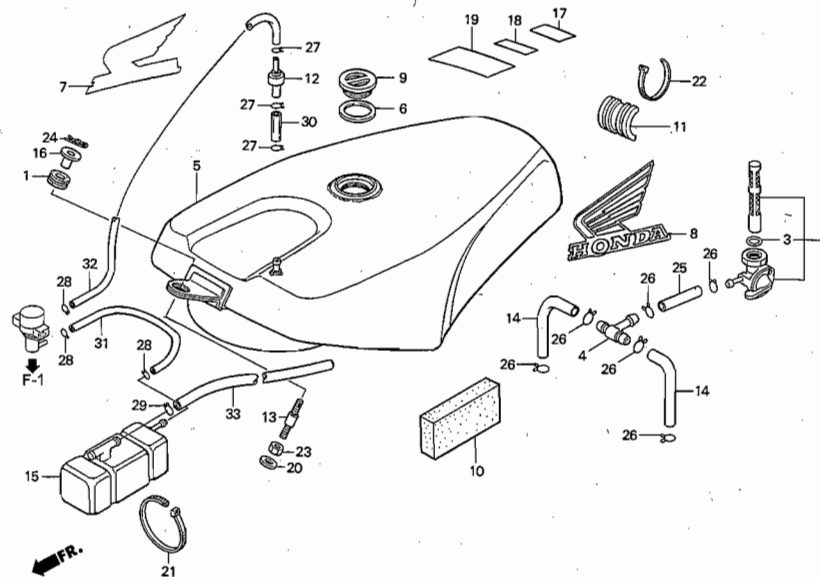
Block No.

F-10

Fuel tank

2001 RS250R

2002 RS250R



| Ref. No. | Part No. | Description | Reqd. No. '01 '02 | Remarks | Ref. No. | Part No. | Description | Reqd. No. '01 '02 | Remarks |
|----------|---------------|------------------------------------|-------------------|--------------|----------|----------------|----------------------------|-------------------|----------------------------------|
| 1 | 15604-MG7-000 | GROMMET, oil collar..... | 1 1 | | 21 | 90651-NC8-000 | TIE-WRAP, 3.6×281..... | 1 1 | |
| 2 | 16950-NF5-003 | VALVE ASSY., fuel | 1 1 | | 22 | 91058-MG9-681 | BAND, self lock..... | 1 1 | |
| 3 | 16958-MA1-731 | O-RING, 10.6×1.3..... | 1 1 | | 23 | 94002-08000-0S | NUT, hex, 8 mm..... | 1 1 | |
| 4 | 16958-MB0-000 | JOINT, fuel tube | 1 1 | | 24 | 94252-10100 | PIN, lock, 10 mm..... | 1 1 | |
| 5 | 17510-NXA-000 | TANK COMP., fuel..... | 1 1 | | 25 | 95001-75150-40 | TUBE, fuel, 7.3×150..... | 1 1 | |
| 6 | 17515-NX5-770 | PACKING, fuel cap..... | 1 1 | | 26 | 95002-02120 | CLIP, B12, tube..... | 6 6 | |
| 7 | 17516-NF4-610 | WING MARK, R. side | 1 1 | | 27 | 95002-45000 | CLIP, C8, tube | 3 3 | |
| 8 | 17517-NF4-610 | WING MARK, L. side | 1 1 | | 28 | 95002-50000 | CLIP, C9, tube | 3 3 | |
| 9 | 17521-NX4-680 | CAP, fuel tank | 1 1 | | 29 | 95002-80000 | CLIP, C12, tube..... | 1 1 | |
| 10 | 17522-NF5-690 | SPONGE, baffle | 6 6 | | 30 | 95003-10003-31 | VINYL-TUBE, 5×8×30 | 1 1 | No sale by HRC I.D. 5mm×30mm |
| 11 | 17528-NC8-000 | RUBBER, fuel tank mount, rear..... | 1 1 | | 31 | 95003-10022-31 | VINYL-TUBE, 5×8×220..... | 1 1 | No sale by HRC I.D. 5mm×220mm |
| 12 | 17625-NX5-771 | VALVE COMP, dashpot check..... | 1 1 | Blue / Brown | 32 | 95003-10060-31 | VINYL-TUBE, 5×8×600 | 1 1 | No sale by HRC I.D. 5mm×600mm |
| 13 | 17629-NX4-000 | PIN, tank mount..... | 1 1 | | 33 | 95003-23060-31 | VINYL-TUBE, 8×12×600 | 1 1 | No sale by HRC I.D. 8mm×600mm |
| 14 | 17702-NX5-790 | TUBE, fuel..... | 2 2 | | | | | | |
| 15 | 19130-NX5-770 | TANK, catch..... | 1 1 | | | | | | |
| 16 | 80115-GS3-000 | SIDE COLLAR, RR. fender | 1 1 | | | | | | |
| 17 | 87207-NX4-870 | MARK, caution | 1 1 | | | | | | |
| 18 | 87208-NC2-000 | MARK, caution | 1 1 | | | | | | |
| 19 | 87560-357-671 | MARK, caution..... | 1 1 | | | | | | |
| 20 | 90443-GC8-000 | WASHER, special 8 mm..... | 1 1 | | | | | | |

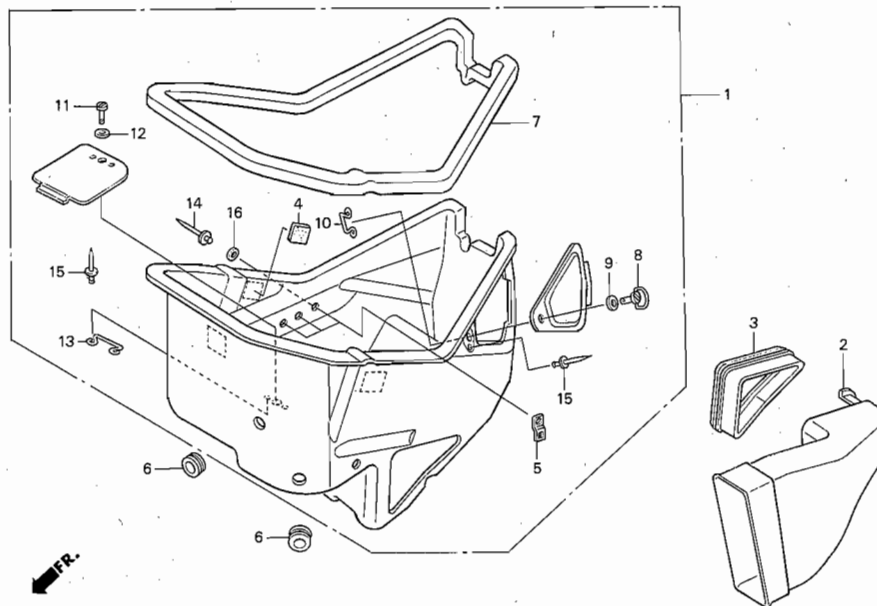
Block No.

F-11

Carburetor box

2001 RS250R

2002 RS250R



| Ref. No. | Part No. | Description | Reqd. No. '01 '02 | Remarks | Ref. No. | Part No. | Description | Reqd. No. '01 '02 | Remarks |
|----------|---------------|-----------------------------|-------------------|---------|----------|----------|-------------|-------------------|---------|
| • 1 | 17210-NXA-000 | BOX ASSY., carbureter | 1 - | | | | | | |
| • | 17210-NXA-610 | BOX ASSY., carbureter | (1) 1 | | | | | | |
| • 2 | 17250-NXA-000 | JOINT, side duct..... | 1 1 | | | | | | |
| • 3 | 17260-NXA-000 | TUBE, duct conn..... | 1 1 | | | | | | |
| • 4 | 17505-GT8-600 | RUBBER, fuel tank..... | 3 3 | | | | | | |
| • 5 | 50193-NX6-000 | STAY, coupler..... | 3 3 | | | | | | |
| 6 | 55204-GJ2-000 | GROMMET, oil tube | 2 2 | | | | | | |
| • 7 | 64234-NX5-770 | SEAL, gap | 3 4 | | | | | | |
| • 8 | 90654-NX5-770 | STUD, fastener 35..... | 1 1 | | | | | | |
| • 9 | 90655-NX5-770 | GROMMET, fastener | 1 1 | | | | | | |
| • 10 | 90656-NX5-770 | SPRING, fastener 35..... | 1 1 | | | | | | |
| • 11 | 90754-NX5-770 | STUD, fastener 30..... | 1 1 | | | | | | |
| • 12 | 90755-NX5-770 | GROMMET, fastener | 1 1 | | | | | | |
| • 13 | 90756-NX5-770 | SPRING, fastener 30..... | 1 1 | | | | | | |
| • 14 | 91080-NC8-300 | BLIND RIVET 3.2×6.4 | 3 3 | | | | | | |
| • 15 | 91082-NF5-000 | BLIND RIVET 2.4×5.7 | N N | | | | | | |
| 16 | 94101-03000 | WASHER, plain 3 mm | 3 3 | | | | | | |

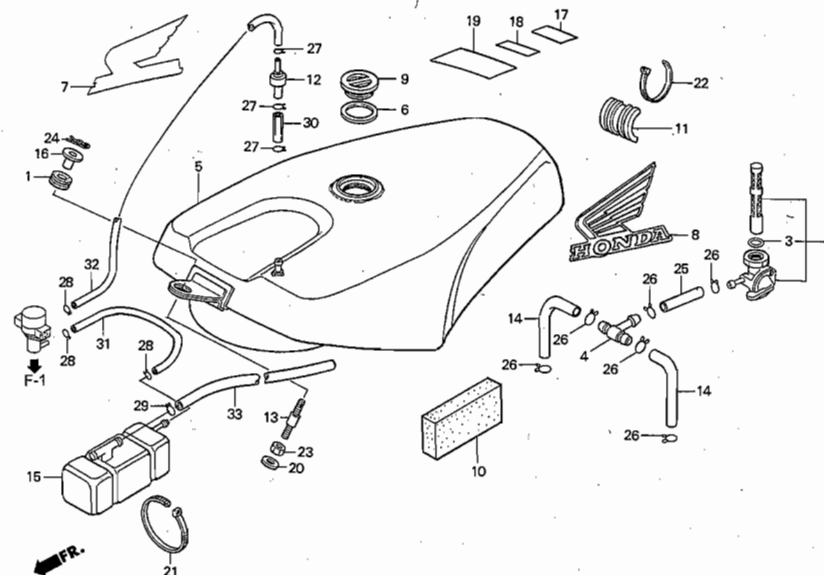
Block No.

F-10

Fuel tank

2001 RS250R

2002 RS250R



| Ref. No. | Part No. | Description | Reqd. No. '01 '02 | Remarks | Ref. No. | Part No. | Description | Reqd. No. '01 '02 | Remarks |
|----------|---------------|------------------------------------|-------------------|--------------|----------|----------------|----------------------------|-------------------|----------------------------------|
| 1 | 15604-MG7-000 | GROMMET, oil collar..... | 1 1 | | 21 | 90651-NC8-000 | TIE-WRAP, 3.6×281..... | 1 1 | |
| 2 | 16950-NF5-003 | VALVE ASSY., fuel | 1 1 | | 22 | 91058-MG9-681 | BAND, self lock..... | 1 1 | |
| 3 | 16958-MA1-731 | O-RING, 10.6×1.3..... | 1 1 | | 23 | 94002-08000-0S | NUT, hex, 8 mm | 1 1 | |
| 4 | 16958-MB0-000 | JOINT, fuel tube | 1 1 | | 24 | 94252-10100 | PIN, lock, 10 mm..... | 1 1 | |
| 5 | 17510-NXA-000 | TANK COMP., fuel..... | 1 1 | | 25 | 95001-75150-40 | TUBE, fuel, 7.3×150..... | 1 1 | |
| 6 | 17515-NX5-770 | PACKING, fuel cap..... | 1 1 | | 26 | 95002-02120 | CLIP, B12, tube..... | 6 6 | |
| 7 | 17516-NF4-610 | WING MARK, R. side | 1 1 | | 27 | 95002-45000 | CLIP, C8, tube | 3 3 | |
| 8 | 17517-NF4-610 | WING MARK, L. side | 1 1 | | 28 | 95002-50000 | CLIP, C9, tube | 3 3 | |
| 9 | 17521-NX4-680 | CAP, fuel tank | 1 1 | | 29 | 95002-80000 | CLIP, C12, tube..... | 1 1 | |
| 10 | 17522-NF5-690 | SPONGE, baffle | 6 6 | | 30 | 95003-10003-31 | VINYL-TUBE, 5×8×30 | 1 1 | No sale by HRC I.D. 5mm×30mm |
| 11 | 17528-NC8-000 | RUBBER, fuel tank mount, rear..... | 1 1 | | 31 | 95003-10022-31 | VINYL-TUBE, 5×8×220..... | 1 1 | No sale by HRC I.D. 5mm×220mm |
| 12 | 17625-NX5-771 | VALVE COMP, dashpot check..... | 1 1 | Blue / Brown | 32 | 95003-10060-31 | VINYL-TUBE, 5×8×600..... | 1 1 | No sale by HRC I.D. 5mm×600mm |
| 13 | 17629-NX4-000 | PIN, tank mount..... | 1 1 | | 33 | 95003-23060-31 | VINYL-TUBE, 8×12×600 | 1 1 | No sale by HRC I.D. 8mm×600mm |
| 14 | 17702-NX5-790 | TUBE, fuel..... | 2 2 | | | | | | |
| 15 | 19130-NX5-770 | TANK, catch..... | 1 1 | | | | | | |
| 16 | 80115-GS3-000 | SIDE COLLAR, RR. fender | 1 1 | | | | | | |
| 17 | 87207-NX4-870 | MARK, caution | 1 1 | | | | | | |
| 18 | 87208-NC2-000 | MARK, caution | 1 1 | | | | | | |
| 19 | 87560-357-671 | MARK, caution..... | 1 1 | | | | | | |
| 20 | 90443-GC8-000 | WASHER, special 8 mm..... | 1 1 | | | | | | |

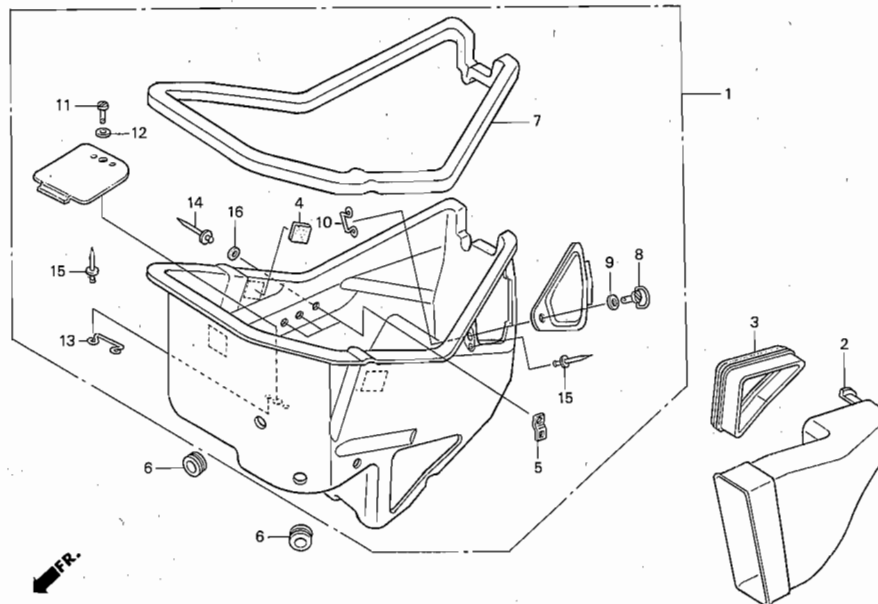
Block No.

F-11

Carburetor box

2001 RS250R

2002 RS250R



| Ref. No. | Part No. | Description | Reqd. No. '01 '02 | Remarks | Ref. No. | Part No. | Description | Reqd. No. '01 '02 | Remarks |
|----------|---------------|-----------------------------|-------------------|---------|----------|----------|-------------|-------------------|---------|
| • 1 | 17210-NXA-000 | BOX ASSY., carburetor | 1 - | | | | | | |
| • | 17210-NXA-610 | BOX ASSY., carburetor | (1) 1 | | | | | | |
| • 2 | 17250-NXA-000 | JOINT, side duct..... | 1 1 | | | | | | |
| • 3 | 17260-NXA-000 | TUBE, duct conn..... | 1 1 | | | | | | |
| • 4 | 17505-GT8-600 | RUBBER, fuel tank..... | 3 3 | | | | | | |
| • 5 | 50193-NX6-000 | STAY, coupler..... | 3 3 | | | | | | |
| 6 | 55204-GJ2-000 | GROMMET, oil tube | 2 2 | | | | | | |
| • 7 | 64234-NX5-770 | SEAL, gap | 3 4 | | | | | | |
| • 8 | 90654-NX5-770 | STUD, fastener 35..... | 1 1 | | | | | | |
| • 9 | 90655-NX5-770 | GROMMET, fastener | 1 1 | | | | | | |
| • 10 | 90656-NX5-770 | SPRING, fastener 35..... | 1 1 | | | | | | |
| • 11 | 90754-NX5-770 | STUD, fastener 30..... | 1 1 | | | | | | |
| • 12 | 90755-NX5-770 | GROMMET, fastener | 1 1 | | | | | | |
| • 13 | 90756-NX5-770 | SPRING, fastener 30..... | 1 1 | | | | | | |
| • 14 | 91080-NC8-300 | BLIND RIVET 3.2×6.4 | 3 3 | | | | | | |
| • 15 | 91082-NF5-000 | BLIND RIVET 2.4×5.7 | N N | | | | | | |
| 16 | 94101-03000 | WASHER, plain 3 mm..... | 3 3 | | | | | | |

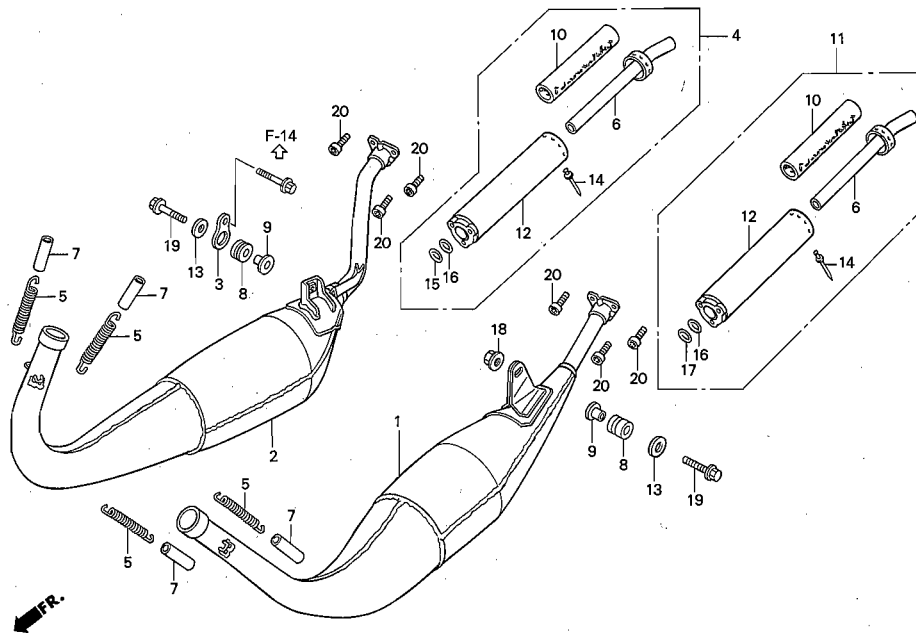
Block No.

F-12

Expansion chamber

2001 RS250R

2002 RS250R

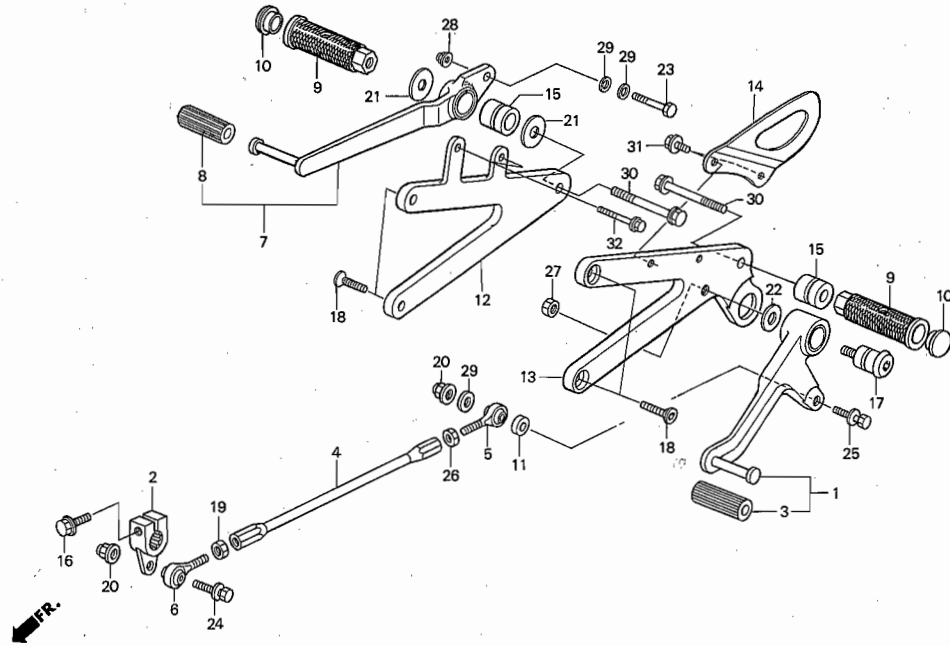


| Ref. No. | Part No. | Description | Reqd. No. '01 '02 | Remarks | Ref. No. | Part No. | Description | Reqd. No. '01 '02 | Remarks |
|----------|----------------|------------------------------------|-------------------|---------|----------|----------------|-------------------------|-------------------|---------|
| • 1 | 18310-NXA-000 | EXPANSION CHAMBER COMP., No 1..... | 1 1 | | 20 | 96700-06016-07 | BOLT, socket, 6×16..... | 6 6 | |
| • 2 | 18320-NXA-000 | EXPANSION CHAMBER COMP., No 2..... | 1 1 | | | | | | |
| • 3 | 18326-NX4-710 | STAY, chamber..... | 1 1 | | | | | | |
| • 4 | 18330-NXA-000 | SILENCER ASSY., R..... | 1 1 | | | | | | |
| 5 | 18332-KS6-000 | SPRING, exhaust pipe..... | 4 4 | | | | | | |
| • 6 | 18332-NXA-000 | INNER COMP., silencer..... | 2 2 | | | | | | |
| 7 | 14539-KCZ-300 | TUBE, tensioner spring..... | (4) 4 | | | | | | |
| • | 18333-ND4-760 | TUBE, spring..... | 4 - | | | | | | |
| 8 | 18334-KA3-830 | RUBBER, silencer..... | 2 2 | | | | | | |
| 9 | 18336-KS6-700 | COLLAR, silencer mount..... | 2 2 | | | | | | |
| • 10 | 18336-NF5-761 | GLASS WOOL, L..... | 2 2 | | | | | | |
| • 11 | 18340-NXA-000 | SILENCER ASSY., L..... | 1 1 | | | | | | |
| • 12 | 18344-NXA-300 | BODY, silencer..... | 2 2 | | | | | | |
| 13 | 90506-430-000 | WASHER, fender mount..... | 2 2 | | | | | | |
| • 14 | 91081-NF4-003 | RIVET, blind, 3.2..... | 16 16 | | | | | | |
| 15 | 91301-KR3-003 | O-RING, 25.5×2.5..... | 1 1 | | | | | | |
| 16 | 91301-MW4-004 | O-RING, 26.2×1.9..... | 2 2 | | | | | | |
| 17 | 91315-KE8-003 | O-RING, 24×3..... | 1 1 | | | | | | |
| 18 | 94050-06000 | NUT, flange, 6 mm..... | 1 1 | | | | | | |
| 19 | 96500-06025-00 | BOLT, flange, DR, 6×25..... | 2 2 | | | | | | |

Block No.

F-13

Gearshift pedal / Footpeg
(Change pedal / Step arm)
2001 RS250R
2002 RS250R



| Ref. No. | Part No. | Description | Reqd. No. '01 '02 | Remarks | Ref. No. | Part No. | Description | Reqd. No. '01 '02 | Remarks |
|----------|---------------|--------------------------|-------------------|---------|----------|----------------|---------------------------------|-------------------|---------|
| • 1 | 24700-NXA-000 | PEDAL ASSY., change..... | 1 1 | | • 21 | 90504-MA6-000 | WASHER 8.5×26..... | 2 2 | |
| • 2 | 24702-NXA-000 | ARM, gear change..... | 1 1 | | • 22 | 90524-MCF-000 | WASHER, change pedal pivot..... | 1 1 | |
| • 3 | 24705-MR7-000 | RUBBER, pedal..... | 1 1 | | • 23 | 92101-06025-0A | BOLT, hex, 6×25..... | 1 1 | |
| • 4 | 24706-NXA-000 | ROD, change..... | 1 1 | | • 24 | 93401-06025-00 | BOLT WASHER, 6×25..... | 1 1 | |
| • 5 | 24711-NX4-710 | ROD END, 6 mm, A..... | 1 1 | | • 25 | 93401-06028-00 | BOLT WASHER, 6×28..... | 1 1 | |
| • 6 | 24712-NX4-710 | ROD END, 6 mm, B..... | 1 1 | | • 26 | 94001-06200-0S | NUT, hex, 6 mm..... | 1 1 | |
| • 7 | 46500-NX5-000 | PEDAL ASSY., brake..... | 1 1 | | • 27 | 94002-08000-0S | NUT, hex, 8 mm..... | 1 1 | |
| • 8 | 46501-ND4-750 | RUBBER, pedal..... | 1 1 | | • 28 | 94050-06000 | NUT, flange, 6 mm..... | 1 1 | |
| • 9 | 50610-NL5-760 | ARM, step..... | 2 2 | | • 29 | 94101-06000 | WASHER, plain, 6 mm..... | 3 3 | |
| • 10 | 50612-NL5-760 | END, step arm..... | 2 2 | | • 30 | 95801-08040-00 | BOLT, flange, 8×40..... | 2 2 | |
| • 11 | 50618-KE8-000 | COLLAR 6.5×11×3..... | 1 1 | | • 31 | 96500-06010-00 | BOLT, flange, DR, 6×10..... | 2 2 | |
| • 12 | 50630-NXA-000 | HOLDER, R. step..... | 1 1 | | • 32 | 96500-06020-00 | BOLT, flange, DR, 6×20..... | 2 2 | |
| • 13 | 50640-NXA-000 | HOLDER, L. step..... | 1 1 | | | | | | |
| • 14 | 50641-NF5-950 | PLATE, foot guard..... | 1 1 | | | | | | |
| • 15 | 50643-NL5-760 | COLLAR 16×8.2..... | 2 2 | | | | | | |
| • 16 | 90003-MC7-000 | BOLT, flange, 6×20..... | 1 1 | | | | | | |
| • 17 | 90113-MCF-000 | BOLT, change pivot..... | 1 1 | | | | | | |
| • 18 | 90178-NC8-000 | BOLT 8×22..... | 4 4 | | | | | | |
| • 19 | 90201-KV3-700 | NUT, tie-rod B..... | 1 1 | | | | | | |
| • 20 | 90301-473-003 | NUT, U, 6 mm..... | 2 2 | | | | | | |

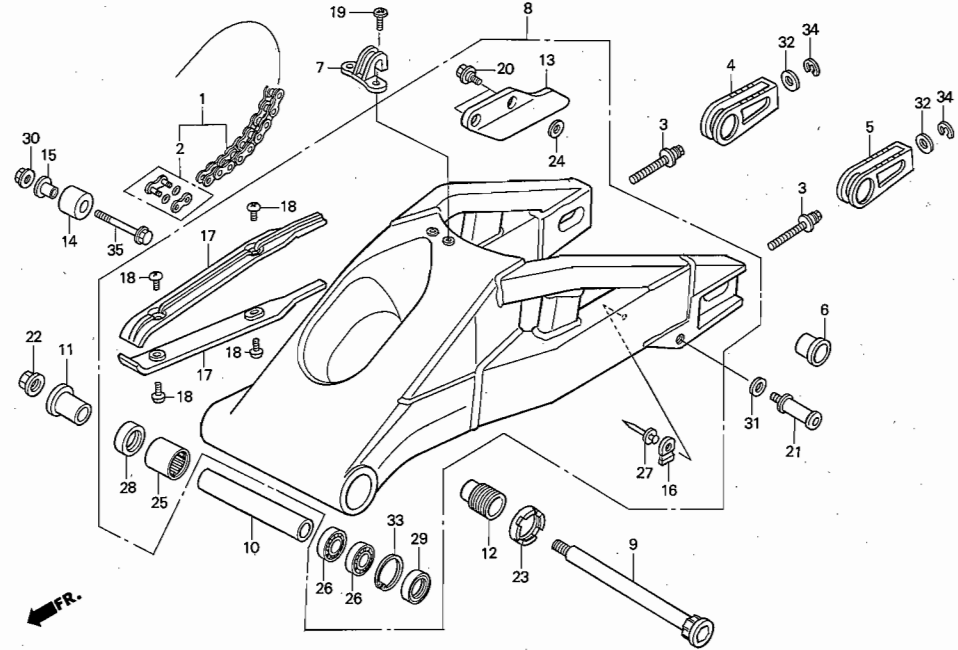
Block No.

F-14

Rear swingarm

2001 RS250R

2002 RS250R

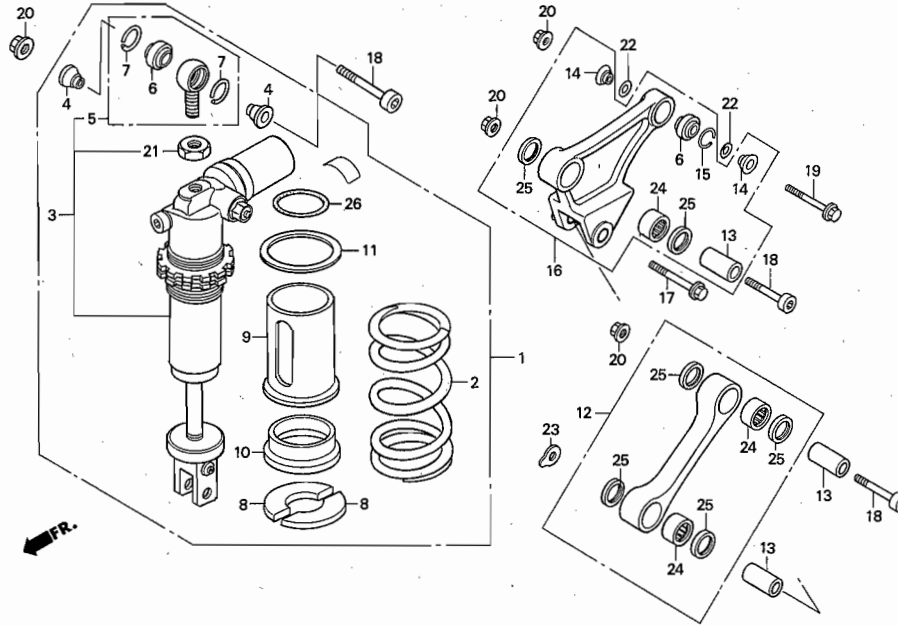


| Ref. No. | Part No. | Description | Reqd. No. '01 '02 | Remarks | Ref. No. | Part No. | Description | Reqd. No. '01 '02 | Remarks |
|----------|---------------|--------------------------------------|-------------------|---------|----------|----------------|------------------------------------|-------------------|---------|
| • 1 | 40530-NXA-003 | CHAIN, drive (GB520TRU-110LJ-F)..... | 1 1 | | 20 | 90110-GE0-710 | BOLT, flange, 6 mm..... | 2 2 | |
| • 2 | 40540-NXA-003 | CHAIN, drive (GB520TRU-112LJ-F)..... | (1) (1) | | 21 | 90117-MAZ-000 | BOLT, hook, M8×14..... | 2 2 | |
| • 3 | 40536-NXA-003 | JOINT, drive chain..... | (1) (1) | | 22 | 90305-MB4-003 | NUT, U, flange, 18 mm..... | 1 1 | |
| • 4 | 40542-NXA-000 | BOLT, chain adjust..... | 2 2 | | 23 | 90355-469-000 | NUT, rear fork pivot..... | 1 1 | |
| • 5 | 40543-NXA-000 | ADJUSTER, chain..... | 1 1 | | 24 | 90522-028-000 | WASHER, chain case setting..... | 2 2 | |
| • 6 | 42315-NXA-000 | COLLAR, rear caliper bracket..... | 1 1 | | 25 | 91071-MR7-003 | BEARING, needle..... | 1 1 | |
| 7 | 43468-KS6-700 | GUIDE, rear brake hose..... | 1 1 | | 26 | 91072-MR7-003 | BEARING, ball radial, 20×37×9..... | 2 2 | |
| • 8 | 52100-NXA-010 | SWINGARM ASSY..... | 1 1 | | • 27 | 91080-NF5-710 | RIVET, 4.0×8.6..... | 1 1 | |
| 9 | 52101-KY2-000 | BOLT, swingarm pivot..... | 1 1 | | 28 | 91202-MR7-003 | DUST SEAL, 28×37×4..... | 1 1 | |
| • 10 | 52102-NX5-000 | COLLAR, distance swingarm..... | 1 1 | | 29 | 91214-MR7-003 | DUST SEAL, 26×37×5..... | 1 1 | |
| • 11 | 52106-NX4-000 | COLLAR B, pivot..... | 1 1 | | 30 | 94050-08000 | NUT, flange, 8 mm..... | 1 1 | |
| • 12 | 52109-NX5-000 | BOLT, adjust pivot..... | 1 1 | | 31 | 94102-08000 | WASHER, plain, 8 mm..... | 2 2 | |
| 13 | 52156-GAN-670 | GUARD, chain..... | 1 1 | | 32 | 94102-10000 | WASHER, plain, 10 mm..... | 2 2 | |
| 14 | 52158-HB5-003 | ROLLER, chain..... | 1 1 | | 33 | 94520-37000 | CIRCLIP, internal 37..... | 1 1 | |
| 15 | 52159-467-000 | COLLAR, chain roller..... | 1 1 | | • 34 | 94540-08029 | E-RING 8..... | 2 2 | |
| • 16 | 52161-NF5-710 | HOSE, base saddle..... | 1 1 | | 35 | 96400-08050-00 | BOLT, flange, DR, 8×50..... | 1 1 | |
| • 17 | 52170-NX4-000 | SLIDER, chain..... | 2 2 | | | | | | |
| 18 | 90101-692-000 | SCREW, truss G-box..... | 4 4 | | | | | | |
| 19 | 90104-ML7-920 | SCREW, pan, 5×10..... | 2 2 | | | | | | |

Block No.

F-15

Shock absorber
(Rear cushion)
2001 RS250R
2002 RS250R



| Ref. No. | Part No. | Description | Reqd. No. | | Remarks | Ref. No. | Part No. | Description | Reqd. No. | | Remarks |
|----------|---------------|--------------------------------------|-----------|-----|---------|----------|---------------|---------------------------------|-----------|-----|---------|
| | | | '01 | '02 | | | | | '01 | '02 | |
| • 1 | 52400-NXA-601 | CUSHION ASSY., rear | 1 | - | | • 16 | 52470-NXA-000 | ARM ASSY., cushion..... | 1 | 1 | |
| • | 52400-NXA-621 | CUSHION ASSY., rear | - | 1 | | • 17 | 90102-NF5-000 | BOLT, flange, 10×50..... | 1 | 1 | |
| • 2 | 52401-NXA-003 | SPRING, rear cushion | 1 | (1) | K=7.0 | 18 | 90110-ML7-000 | BOLT, socket, 10×55..... | 3 | 3 | |
| • | 52402-NXA-003 | SPRING, rear cushion (SOFT) | (1) | 1 | K=6.5 | 19 | 90153-HA8-000 | BOLT, flange, 10×47..... | 1 | 1 | |
| • | 52403-NXA-003 | SPRING, rear cushion (HARD) | (1) | (1) | K=7.5 | 20 | 90304-GA6-003 | NUT, axle..... | 4 | 4 | |
| • | 52404-NXA-611 | SPRING, rear cushion (SOFT II) | (1) | (1) | K=6.0 | • 21 | 90306-NF5-951 | NUT, lock, 16 mm | 1 | 1 | |
| • 3 | 52410-NXA-003 | DAMPER COMP., rear | 1 | - | | • 22 | 90501-ND5-750 | WASHER 12×16×0.1..... | N | N | |
| • | 52410-NXA-611 | DAMPER COMP., rear | - | 1 | | • 23 | 90510-NX4-000 | SHIM, engine mount, 0.2 | N | N | |
| • 4 | 52411-NF5-951 | COLLAR, damper upper..... | 2 | 2 | | 24 | 91071-MY1-005 | BEARING, needle, 17×24×17 | 3 | 3 | |
| • 5 | 52420-NX4-003 | JOINT COMP., upper..... | 1 | 1 | | 25 | 91262-KV3-831 | DUST SEAL, 17×24×5 | 6 | 6 | |
| • 6 | 52422-NF5-952 | BEARING, spherical | 2 | 2 | | • 26 | 91359-NXA-003 | O-RING, 49.7×2.4..... | 1 | 1 | |
| • 7 | 52424-GC4-831 | RING, stopper..... | 2 | 2 | | | | | | | |
| • 8 | 52424-KAF-901 | STOPPER, spring seat..... | 2 | 2 | | | | | | | |
| • 9 | 52458-NXA-003 | GUIDE, spring..... | 1 | 1 | | | | | | | |
| • 10 | 52459-ML7-691 | SEAT, spring | 1 | 1 | | | | | | | |
| • 11 | 52459-NXA-003 | SEAT, spring | 1 | 1 | | | | | | | |
| • 12 | 52460-NXA-000 | ROD ASSY., cushion | 1 | 1 | | | | | | | |
| • 13 | 52465-NX4-000 | COLLAR, cushion arm | 3 | 3 | | | | | | | |
| • 14 | 52468-NF5-000 | COLLAR, tension rod..... | 2 | 2 | | | | | | | |
| • 15 | 52469-NC8-000 | SNAP, ring, 22 mm | 1 | 1 | | | | | | | |

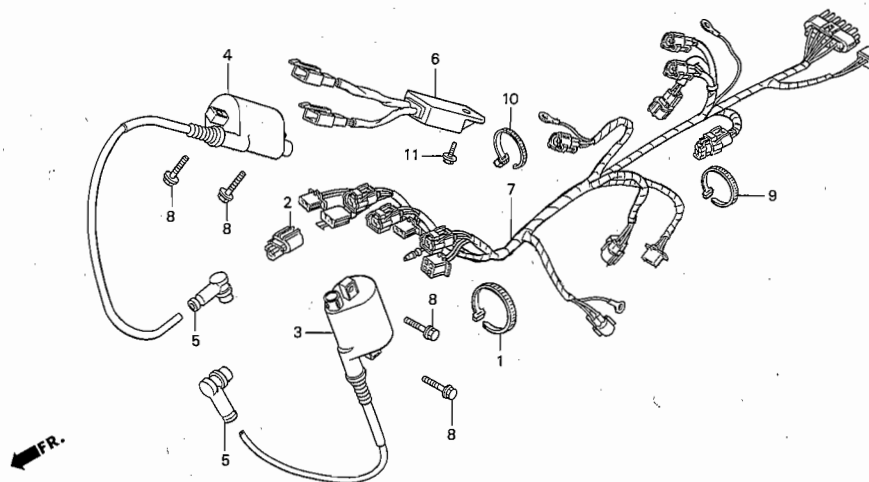
Block No.

F-16

Ignition coil / Wire harness

2001 RS250R

2002 RS250R

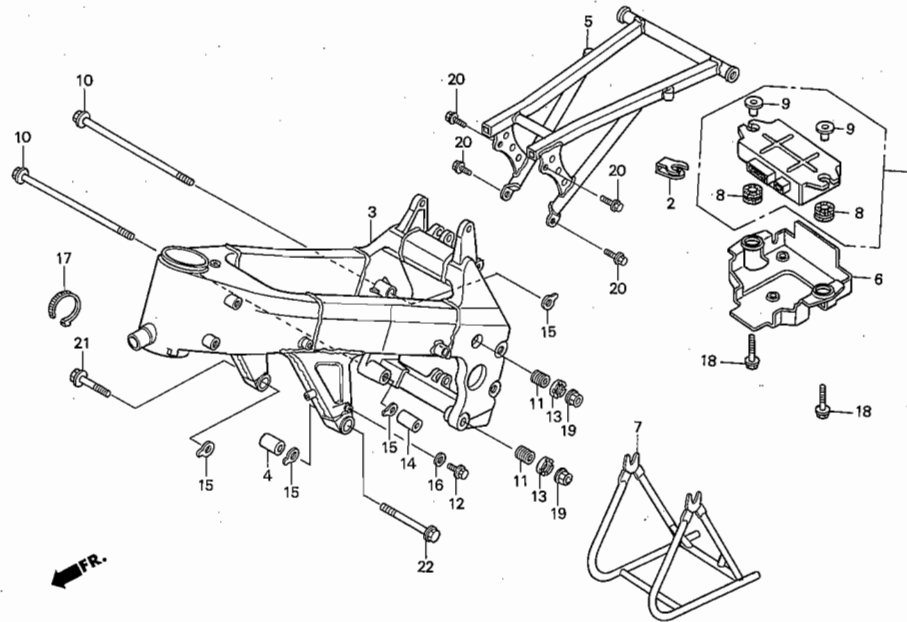


| Ref. No. | Part No. | Description | Reqd. No. '01 '02 | Remarks | Ref. No. | Part No. | Description | Reqd. No. '01 '02 | Remarks |
|----------|----------------|-----------------------------------|-------------------|---------|----------|----------|-------------|-------------------|---------|
| • 1 | 22872-NF5-760 | BAND, 200 | 1 1 | | | | | | |
| • 2 | 30411-NX5-790 | COUPLER, P/J mode 1 | 1 1 | | | | | | |
| • | 30412-NX5-790 | COUPLER, P/J mode 2 | (1) (1) | | | | | | |
| • | 30414-NXA-000 | COUPLER, map 4 | (1) (1) | | | | | | |
| • 3 | 30510-NX5-701 | COIL COMP, ignition A | 1 1 | | | | | | |
| • 4 | 30520-NX5-701 | COIL COMP, ignition B | 1 1 | | | | | | |
| • 5 | 30700-NX5-003 | CAP ASSY., noise suppressor | 2 2 | | | | | | |
| • 6 | 31600-NX5-791 | REGULATE RECTIFIER COMP. | 1 1 | | | | | | |
| • 7 | 32100-NXA-000 | HARNESS, wire | 1 - | | | | | | |
| • | 32100-NXA-610 | HARNESS, wire | (1) 1 | | | | | | |
| • 8 | 90197-MN5-000 | BOLT, flange, 5×20 | 4 4 | | | | | | |
| • 9 | 90652-ND5-000 | TIE-WRAP, 2.4×92 | 2 2 | | | | | | |
| 10 | 91058-MG9-681 | BAND, self lock | 1 1 | | | | | | |
| 11 | 96500-06016-00 | BOLT, flange, DR, 6×16 | 1 1 | | | | | | |

Block No.

F-17

Engine control unit /
Frame body / Stand
2001 RS250R
2002 RS250R



| Ref. No. | Part No. | Description | Reqd. No. '01 '02 | Remarks | Ref. No. | Part No. | Description | Reqd. No. '01 '02 | Remarks |
|----------|---------------|--|----------------------|---------|----------|----------------|------------------------------|----------------------|---------|
| • 1 | 30400-NXA-003 | UNIT ASSY., engine control | 1 1 | | 18 | 93404-06028-00 | BOLT WASHER, 6×28..... | 2 2 | |
| • 2 | 30401-NX5-640 | PLATE, earth..... | 1 1 | | 19 | 94050-10000 | NUT, flange, 10mm..... | 2 2 | |
| • 3 | 50100-NXA-000 | FRAME BODY COMP. | 1 1 | | 20 | 96500-06020-00 | BOLT, flange, DR, 6×20..... | 4 4 | |
| • 4 | 50121-KV3-830 | COLLAR, pivot plate | 1 1 | | 21 | 96500-10028-00 | BOLT, flange, DR, 10×28..... | 1 1 | |
| • 5 | 50240-NXA-000 | SEAT RAIL COMP. | 1 1 | | 22 | 96500-10055-08 | BOLT, flange, DR, 10×55..... | 1 1 | |
| • 6 | 50260-NX5-000 | COVER, E.C.U..... | 1 1 | | | | | | |
| • 7 | 50500-NXA-000 | STAND, main | 1 1 | | | | | | |
| • 8 | 80112-MA6-000 | CUSHION, taillight | 2 2 | | | | | | |
| • 9 | 90001-438-850 | COLLAR A | 2 2 | | | | | | |
| • 10 | 90109-KE1-000 | BOLT, hex., 10×215 | 2 2 | | | | | | |
| • 11 | 90124-NX4-000 | BOLT, engine mount adjust 18×34.5..... | 2 2 | | | | | | |
| • 12 | 90134-ND5-000 | BOLT, flange, 6×10..... | 1 1 | | | | | | |
| • 13 | 90301-NX4-000 | NUT, lock, M18×1.5..... | 2 2 | | | | | | |
| • 14 | 90430-PV0-000 | COLLAR, 10.2×22×34.2 | 1 1 | | | | | | |
| • 15 | 90510-NX4-000 | SHIM, engine mount, 0.2..... | N N | | | | | | |
| • | 90511-NX4-000 | SHIM, engine mount, 0.6..... | N N | | | | | | |
| • | 90512-NX4-000 | SHIM, engine mount, 1.0..... | N N | | | | | | |
| • | 90513-NX4-000 | SHIM, engine mount, 1.5..... | N N | | | | | | |
| • 16 | 90543-273-000 | PACKING, front fork drain valve | 1 1 | | | | | | |
| • 17 | 90651-NC8-000 | TIE-WRAP, 3.6×281..... | 1 1 | | | | | | |

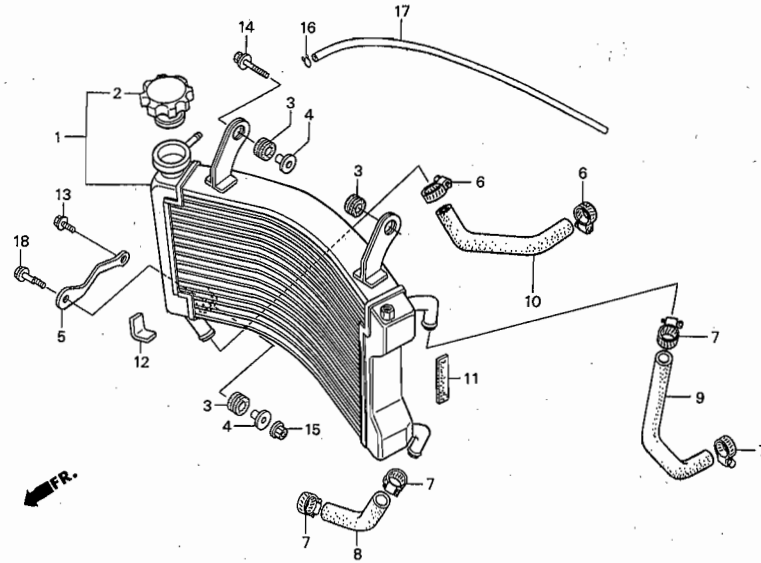
Block No.

F-18

Radiator

2001 RS250R

2002 RS250R



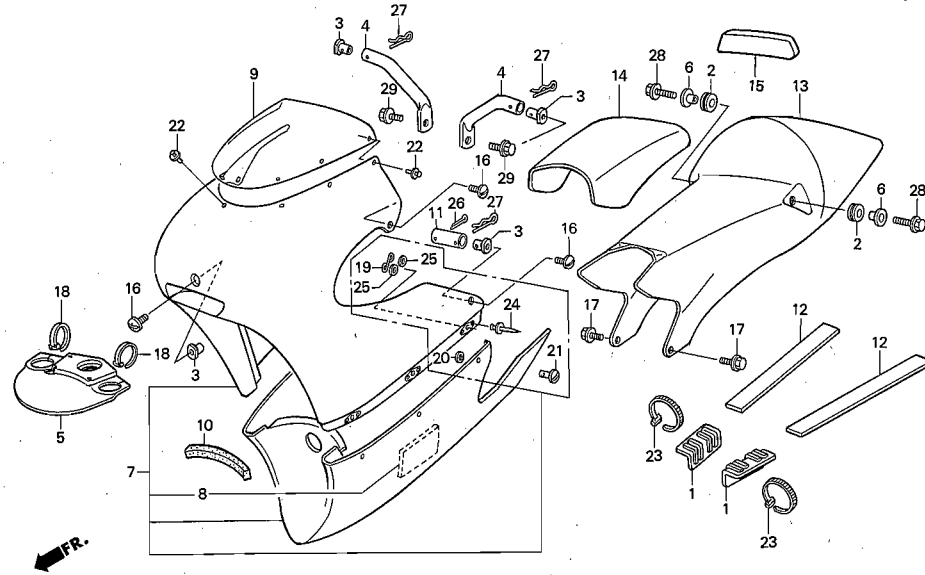
| Ref. No. | Part No. | Description | Reqd. No. '01 '02 | Remarks | Ref. No. | Part No. | Description | Reqd. No. '01 '02 | Remarks |
|----------|----------------|------------------------------|-------------------|----------------------------------|----------|----------|-------------|-------------------|---------|
| • 1 | 19010-NXA-003 | RADIATOR COMP. | 1 1 | | | | | | |
| • 2 | 19037-NX5-003 | CAP COMP., filler | 1 1 | | | | | | |
| • 3 | 19051-KA3-830 | RUBBER, radiator mount | 3 3 | | | | | | |
| • 4 | 19052-KA3-830 | COLLAR, radiator mount..... | 2 2 | | | | | | |
| • 5 | 19110-NXA-000 | STAY, radiator | 1 1 | | | | | | |
| • 6 | 19505-NXA-000 | BAND, hose 22-32..... | 2 2 | | | | | | |
| • 7 | 19506-KS6-700 | CLAMP B, water hose | 4 4 | | | | | | |
| • 8 | 19514-NXA-000 | HOSE A, water..... | 1 1 | | | | | | |
| • 9 | 19515-NXA-000 | HOSE B, water | 1 1 | | | | | | |
| • 10 | 19516-NXA-000 | HOSE C, water..... | 1 1 | | | | | | |
| • 11 | 50383-HC4-750 | RUBBER, battery rear..... | 1 1 | | | | | | |
| • 12 | 55101-KBA-900 | CUSHION, oil tank | 1 1 | | | | | | |
| • 13 | 90134-ND5-000 | BOLT, flange, 6×10 | 1 1 | | | | | | |
| • 14 | 93404-06025-00 | BOLT, washer, 6×25..... | 1 1 | | | | | | |
| • 15 | 94050-06000 | NUT, flange, 6 mm | 1 1 | | | | | | |
| • 16 | 95002-02080 | CLIP, B8, tube | 1 1 | | | | | | |
| • 17 | 95003-14025-10 | VINYL-TUBE, 6×9×250..... | 1 1 | No sale by HRC I.D. 6mm×250mm | | | | | |
| • 18 | 96500-06025-00 | BOLT, flange, DR, 6×25..... | 1 1 | | | | | | |

Block No.

F-19

Cowl

2001 RS250R
2002 RS250R



| Ref. No. | Part No. | Description | Reqd. No. | | Remarks | Ref. No. | Part No. | Description | Reqd. No. | | Remarks |
|----------|---------------|--------------------------------|-----------|-----|---------|----------|----------------|-----------------------------|-----------|-----|---------|
| | | | '01 | '02 | | | | | '01 | '02 | |
| • 1 | 17528-NF4-000 | RUBBER, fuel tank mount B..... | 2 | 2 | | • 21 | 90655-NC8-000 | STUD, fastener 35..... | 6 | 6 | |
| • 2 | 33712-KC5-003 | GROMMET, taillight mount..... | 2 | 2 | | • 22 | 90656-NX4-000 | RIVET, 4×7..... | 7 | 7 | |
| • 3 | 50803-NF4-610 | NUT, cowl stay..... | 5 | 5 | | • 23 | 91058-MG9-681 | BAND, self lock..... | 2 | 2 | |
| • 4 | 50807-NXA-000 | STAY, front cowl upper..... | 2 | 2 | | • 24 | 91080-NC8-300 | RIVET, 3.2×6.4..... | 12 | 12 | |
| • 5 | 50820-NXA-000 | COVER, steering under..... | 1 | 1 | | • 25 | 94101-03000 | WASHER, plain, 3mm..... | 12 | 12 | |
| • 6 | 61104-KA4-700 | COLLAR, fender mount..... | 2 | 2 | | • 26 | 94201-25300 | PIN, split, 2.5×30..... | 2 | 2 | |
| • 7 | 64100-NXA-000 | COWL ASSY., front..... | 1 | 1 | | • 27 | 94252-16100 | PIN, lock, 16mm..... | 4 | 4 | |
| • 8 | 64109-NF5-750 | SHEET, heat proof..... | 2 | 2 | | • 28 | 96001-06020-00 | BOLT, flange, SH, 6×20..... | 2 | 2 | |
| • 9 | 64200-NXA-000 | SCREEN..... | 1 | 1 | | • 29 | 96500-06016-00 | BOLT, flange, DR, 6×16..... | 2 | 2 | |
| • 10 | 64234-NX5-770 | SEAL, gap..... | 1 | 1 | | | | | | | |
| • 11 | 65210-NXA-000 | STAY, cowl side..... | 2 | 2 | | | | | | | |
| • 12 | 77105-NX4-000 | RUBBER, seat rail..... | 2 | 2 | | | | | | | |
| • 13 | 77210-NXA-000 | COWL, seat..... | 1 | 1 | | | | | | | |
| • 14 | 77220-NXA-000 | RUBBER, seat..... | 1 | 1 | | | | | | | |
| • 15 | 77221-NF5-760 | RUBBER, seat back..... | 1 | 1 | | | | | | | |
| • 16 | 90106-NF4-770 | BOLT, cowl set, 6×13..... | 5 | 5 | | | | | | | |
| • 17 | 90108-GK1-000 | BOLT, flange, SH, 6×12..... | 2 | 2 | | | | | | | |
| • 18 | 90651-NC8-000 | TIE-WRAP, 3.6×281..... | 2 | 2 | | | | | | | |
| • 19 | 90653-NC8-000 | SPRING, fastener 35..... | 6 | 6 | | | | | | | |
| • 20 | 90654-NC8-000 | GROMMET, fastener..... | 6 | 6 | | | | | | | |

2002-RS250R PART NO. INDEX

| Part No. | Block | Part No. | Block | Part No. | Block | Part No. | Block |
|---------------|-------|---------------|-------|---------------|-------|---------------|-------|
| 04601-ND5-760 | F- 7 | 13000-NX5-790 | E- 8 | 14420-NX5-750 | E- 1 | 16113-NX4-780 | E-11 |
| 04602-ND5-760 | F- 7 | 13100-NX5-790 | E- 8 | 14539-KCZ-300 | F-12 | 16115-GHB-610 | E-11 |
| 04603-NF4-770 | F- 7 | 13111-KV3-000 | E- 8 | | | 16118-166-004 | E-11 |
| | | 13112-NX5-700 | E- 8 | | | 16118-NX4-711 | E-11 |
| | | 13121-NX4-811 | E- 8 | | | 16121-NX5-791 | E-11 |
| | | 13121-NX5-701 | E- 8 | 15604-MG7-000 | F-10 | 16122-NX4-780 | E-11 |
| 11000-NXA-305 | E- 7 | 13331-360-000 | E- 8 | 15611-NF4-900 | E- 7 | 16122-NX5-791 | E-11 |
| 11000-NXA-306 | E- 7 | 13415-NXA-000 | E- 8 | | | 16123-NX5-791 | E-11 |
| 11106-GM2-300 | E- 7 | 13420-NXA-000 | E- 6 | | | 16124-NX4-780 | E-11 |
| 11130-NXA-000 | E-10 | 13426-NXA-000 | E- 6 | | | 16126-NX4-780 | E-11 |
| 11206-KR8-000 | E- 7 | 13615-NX5-710 | E- 8 | 16010-NX4-780 | E-11 | 16145-MZ2-780 | E-11 |
| 11209-NH3-760 | E- 7 | | | 16011-KA3-741 | E-11 | 16162-NX4-780 | E-11 |
| 11340-NXA-000 | E- 3 | | | 16012-NX4-780 | E-11 | 16196-NX6-010 | E-11 |
| 11395-NXA-000 | E- 3 | | | 16013-NX4-780 | E-11 | 16199-NX4-780 | E-11 |
| | | 14100-NXA-003 | E- 7 | 16014-NX4-711 | E-11 | 16200-NX5-791 | E-11 |
| | | 14112-NX5-003 | E- 7 | 16015-NX4-780 | E-11 | 16201-NX4-780 | E-11 |
| | | 14113-NXA-003 | E- 7 | 16017-NX4-780 | E-11 | 16202-NX4-780 | E-11 |
| 12100-NXA-610 | E- 1 | 14121-NX5-003 | E- 7 | 16017-NX5-791 | E-11 | 16203-NX4-780 | E-11 |
| | E- 2 | 14132-NXA-003 | E- 7 | 16017-NX6-000 | E-11 | 16204-NX4-780 | E-11 |
| 12101-NXA-000 | E- 1 | 14200-NXA-003 | E- 7 | 16018-NX4-780 | E-11 | 16205-NX4-780 | E-11 |
| | E- 2 | 14210-NXA-000 | E- 1 | 16033-NX4-780 | E-11 | 16206-NX4-780 | E-11 |
| 12194-NXA-003 | E- 1 | | E- 2 | 16037-NX4-781 | E-11 | 16207-NX4-780 | E-11 |
| | E- 2 | 14221-NX5-000 | E- 1 | 16041-NX5-791 | E-11 | 16210-NXA-000 | E- 7 |
| 12195-NXA-003 | E- 1 | | E- 2 | 16046-NX4-681 | E-11 | 16220-NXA-000 | E- 7 |
| | E- 2 | 14223-NF5-750 | E- 1 | 16050-NX5-791 | E-11 | 16230-NX4-780 | E-11 |
| 12196-NXA-003 | E- 1 | | E- 2 | 16070-NX4-781 | E-11 | 16231-NX4-780 | E-11 |
| | E- 2 | 14243-NF5-750 | E- 4 | 16101-NXA-003 | E-11 | 16232-NX4-780 | E-11 |
| 12211-NX5-790 | E- 1 | 14245-NX5-000 | E- 4 | 16101-NXA-611 | E-11 | 16233-NX4-780 | E-11 |
| | E- 2 | 14248-NF5-750 | E- 4 | 16102-NXA-003 | E-11 | 16234-NX4-780 | E-11 |
| 12213-ND5-000 | E- 1 | 14337-NXA-003 | E- 4 | 16102-NXA-611 | E-11 | 16235-NX4-780 | E-11 |
| | E- 2 | 14338-NXA-003 | E- 4 | 16111-NX4-780 | E-11 | 16236-NX4-780 | E-11 |
| | | 14410-NX5-750 | E- 2 | 16112-NX4-780 | E-11 | 16237-NX4-780 | E-11 |

2002-RS250R PART NO. INDEX

| Part No. | Block | Part No. | Block | Part No. | Block | Part No. | Block |
|---------------|-------|---------------|-------|---------------|-------|---------------|-------|
| 16950-NF5-003 | F-10 | 18153-NX5-000 | E- 4 | 19229-NX5-003 | E- 6 | 23211-NXA-000 | E- 9 |
| 16958-MA1-731 | F-10 | 18220-NXA-000 | E- 1 | 19233-NX5-700 | E- 6 | 23212-NXA-000 | E- 9 |
| 16958-MB0-000 | F-10 | 18221-NXA-000 | E- 2 | 19505-NXA-000 | F-18 | 23214-NXA-000 | E- 9 |
| | | 18231-NXA-801 | E- 1 | 19506-KS6-700 | F-18 | 23221-NXA-610 | E- 9 |
| | | 18310-NXA-000 | E- 2 | 19514-NXA-000 | F-18 | 23221-NX5-000 | E- 9 |
| 17135-NX5-791 | E-11 | 18320-NXA-000 | F-12 | 19515-NXA-000 | F-18 | 23225-NX5-000 | E- 9 |
| 17210-NXA-000 | F-11 | 18326-NX4-710 | F-12 | 19516-NXA-000 | F-18 | 23411-NX5-000 | E- 9 |
| 17210-NXA-610 | F-11 | 18330-NXA-000 | F-12 | | | 23412-NX5-000 | E- 9 |
| 17250-NXA-000 | F-11 | 18332-KS6-000 | F-12 | | | 23413-NX5-000 | E- 9 |
| 17260-NXA-000 | F-11 | 18332-NXA-000 | F-12 | 22100-NX5-680 | E- 3 | 23414-NX5-000 | E- 9 |
| 17370-419-700 | F- 7 | 18333-ND4-760 | F-12 | 22106-NXA-000 | E- 3 | 23421-NX5-000 | E- 9 |
| 17505-GT8-600 | F-11 | 18334-KA3-830 | F-12 | 22111-NX5-000 | E- 3 | 23422-NX5-000 | E- 9 |
| 17510-NXA-000 | F-10 | 18336-KS6-700 | F-12 | 22112-NX5-000 | E- 3 | 23424-NX5-000 | E- 9 |
| 17515-NX5-770 | F-10 | 18336-NF5-761 | F-12 | 22113-NX5-000 | E- 3 | 23431-NX5-000 | E- 9 |
| 17516-NF4-610 | F-10 | 18340-NXA-000 | F-12 | 22117-NX5-000 | E- 3 | 23432-NX5-000 | E- 9 |
| 17517-NF4-610 | F-10 | 18344-NXA-300 | F-12 | 22120-NX5-680 | E- 3 | 23433-NX5-000 | E- 9 |
| 17521-NX4-680 | F-10 | 18359-NXA-000 | E- 1 | 22201-NX5-003 | E- 3 | 23434-NX5-000 | E- 9 |
| 17522-NF5-690 | F-10 | | E- 2 | 22202-NX5-000 | E- 3 | 23441-NX5-000 | E- 9 |
| 17528-NC8-000 | F-10 | | | 22321-MM9-000 | E- 3 | 23442-NX5-000 | E- 9 |
| 17528-NF4-000 | F-19 | | | 22351-NX5-680 | E- 3 | 23443-NX5-000 | E- 9 |
| 17625-NX5-771 | F-10 | | | 22401-KA5-740 | E- 3 | 23444-NX5-000 | E- 9 |
| 17629-NX4-000 | F-10 | 19010-NXA-003 | F-18 | 22810-NXA-000 | E- 3 | 23445-NX5-000 | E- 9 |
| 17702-NX5-790 | F-10 | 19037-NX5-003 | F-18 | 22815-ML0-780 | E- 7 | 23446-NX5-000 | E- 9 |
| 17910-NXA-000 | F- 2 | 19051-KA3-830 | F-18 | 22841-ND5-750 | E- 7 | 23461-NX5-000 | E- 9 |
| 17950-NX5-000 | F- 1 | 19052-KA3-830 | F-18 | 22850-NX5-700 | E- 3 | 23462-NX5-000 | E- 9 |
| 17955-NF5-750 | F- 1 | 19110-NXA-000 | F-18 | 22870-NX5-000 | E- 3 | 23463-NX5-000 | E- 9 |
| | | 19130-NX5-770 | F-18 | 22872-NF5-760 | F- 2 | 23471-NX5-000 | E- 9 |
| | | 19210-NXA-000 | F-10 | | F- 1 | 23472-NX5-000 | E- 9 |
| | | 19215-KA5-690 | E- 6 | | F-16 | 23473-NX5-000 | E- 9 |
| 18150-NXA-000 | E- 4 | 19219-NXA-003 | E- 6 | | | 23474-NX5-000 | E- 9 |
| 18152-NX5-700 | E- 4 | 19220-NX5-000 | E- 6 | | | 23481-NX5-000 | E- 9 |
| | | | | | | 23491-NX5-000 | E- 9 |

2002-RS250R PART NO. INDEX

| Part No. | Block | Part No. | Block | Part No. | Block | Part No. | Block |
|---------------|-------|---------------|-------|---------------|-------|---------------|-------|
| 23495-NXA-000 | E- 9 | 24325-KA3-711 | E-10 | 31100-NXA-611 | E- 5 | 36190-NX5-770 | F- 1 |
| 23501-NX5-000 | E- 9 | 24326-KBH-901 | E-10 | 31100-NX5-681 | E- 5 | | |
| 23502-NX5-000 | E- 9 | 24328-NX5-000 | E-10 | 31110-NXA-611 | E- 5 | | |
| 23503-NX5-000 | E- 9 | 24329-KA3-740 | E-10 | 31110-NX5-771 | E- 5 | | |
| 23504-NX5-000 | E- 9 | 24329-KT8-000 | E- 1 | 31120-NX5-681 | E- 5 | 37250-NX4-731 | F- 1 |
| 23505-NX5-000 | E- 9 | | E- 2 | 31420-NF5-761 | F- 1 | 37460-NX4-701 | F- 1 |
| 23506-NX5-000 | E- 9 | 24430-KA3-740 | E-10 | 31600-NX5-791 | F-16 | 37870-NF4-611 | F- 1 |
| 23511-NX5-000 | E- 9 | 24435-KZ4-690 | E-10 | 31700-NX5-000 | F- 1 | | |
| 23512-KV3-770 | E- 9 | 24610-NX5-000 | E-10 | 31930-NX5-751 | E- 1 | | |
| 23512-NX5-000 | E- 9 | 24615-NX5-300 | E-10 | | E- 2 | | |
| 23514-NX5-000 | E- 9 | 24651-MW0-000 | E-10 | 31940-NX5-751 | E- 1 | 40530-NXA-003 | F-14 |
| 23515-NX5-000 | E- 9 | 24655-KV3-000 | E-10 | | E- 2 | 40536-NXA-003 | F-14 |
| 23516-NX5-000 | E- 9 | 24700-NXA-000 | F-13 | 31950-NX5-751 | E- 1 | 40540-NXA-003 | F-14 |
| 23802-NX5-770 | E- 9 | 24702-NXA-000 | F-13 | | E- 2 | 40542-NXA-000 | F-14 |
| 23803-NX5-770 | E- 9 | 24705-MR7-000 | F-13 | | | 40543-MAS-000 | F-14 |
| 23804-NX5-770 | E- 9 | 24706-NXA-000 | F-13 | | | 40543-NXA-000 | F-14 |
| 23805-NX5-770 | E- 9 | 24711-NX4-710 | F-13 | | | | |
| | | 24712-NX4-710 | F-13 | 32100-NXA-000 | F-16 | | |
| | | | | 32100-NXA-610 | F-16 | | |
| | | | | | | 41203-NXA-000 | F- 9 |
| 24211-NXA-000 | E-10 | | | | | 41204-NXA-000 | F- 9 |
| 24221-NXA-000 | E-10 | 30400-NXA-003 | F-17 | | | 41205-NXA-000 | F- 9 |
| 24231-NXA-000 | E-10 | 30401-NX5-640 | F-17 | 33712-KC5-003 | F-19 | 41206-NXA-000 | F- 9 |
| 24265-KA3-760 | E-10 | 30411-NX5-790 | F-16 | | | 41207-NXA-000 | F- 9 |
| 24266-NX5-000 | E-10 | 30412-NX5-790 | F-16 | | | 41208-NXA-000 | F- 9 |
| 24311-NXA-000 | E-10 | 30414-NXA-000 | F-16 | | | | |
| 24311-NXA-800 | E-10 | 30510-NX5-701 | F-16 | 35130-NX5-000 | F- 2 | | |
| 24312-NX5-000 | E-10 | 30520-NX5-701 | F-16 | 35132-KR5-013 | F- 2 | | |
| 24315-HA0-000 | E-10 | 30700-NX5-003 | F-16 | 35133-KJ2-003 | F- 2 | 42301-NXA-000 | F- 9 |
| 24321-KW6-902 | E-10 | | | | | 42304-NXA-000 | F- 9 |
| 24322-HA0-000 | E-10 | | | | | 42315-NXA-000 | F-14 |
| 24324-KA3-711 | E-10 | | | | | 42610-NXA-000 | F- 9 |

2002-RS250R PART NO. INDEX

| Part No. | Block | Part No. | Block | Part No. | Block | Part No. | Block |
|---------------|-------|---------------|-------|---------------|-------|---------------|-------|
| 42610-NXA-610 | F- 9 | 44600-NXA-610 | F- 6 | 46182-500-013 | F- 7 | 51126-NXA-003 | F- 5 |
| 42620-NXA-000 | F- 9 | 44600-NX5-770 | F- 6 | 46500-NX5-000 | F-13 | 51400-NXA-003 | F- 5 |
| 42720-NC8-000 | F- 6 | 44600-NX5-850 | F- 6 | 46501-ND4-750 | F-13 | 51400-NXA-611 | F- 5 |
| | F- 9 | 44620-ND5-750 | F- 6 | | | 51401-NXA-003 | F- 5 |
| 42721-NC8-000 | F- 6 | 44621-NF5-750 | F- 6 | | | 51402-NXA-003 | F- 5 |
| | F- 9 | | | | | 51403-MA0-771 | F- 5 |
| 42753-ML7-004 | F- 6 | | | 50100-NXA-000 | F-17 | 51403-MCF-003 | F- 5 |
| | F- 9 | | | 50121-KV3-830 | F-17 | 51403-NXA-003 | F- 5 |
| | | 45100-NX5-770 | F- 3 | 50193-NX6-000 | F-11 | 51404-MT7-003 | F- 5 |
| | | 45105-NX4-770 | F- 3 | 50240-NXA-000 | F-17 | 51406-MW4-003 | F- 5 |
| | | 45107-GM9-711 | F- 8 | 50260-NX5-000 | F-17 | 51410-NXA-003 | F- 5 |
| 43100-NXA-000 | F- 8 | 45108-GM9-741 | F- 8 | 50324-425-010 | F- 1 | 51412-KA4-711 | F- 5 |
| 43105-NF5-611 | F- 8 | 45109-NX5-004 | F- 3 | 50383-HC4-750 | F-18 | 51414-MAZ-003 | F- 5 |
| 43109-MA3-006 | F- 8 | 45120-NX4-681 | F- 6 | 50500-NXA-000 | F-17 | 51414-NXA-003 | F- 5 |
| 43209-MA3-006 | F- 8 | 45125-NX5-681 | F- 3 | 50610-NL5-760 | F-13 | 51415-MAZ-003 | F- 5 |
| 43310-NXA-000 | F- 7 | 45126-NX5-681 | F- 3 | 50612-NL5-760 | F-13 | 51415-NXA-003 | F- 5 |
| 43352-568-003 | F- 7 | 45127-KZ4-003 | F- 3 | 50618-KE8-000 | F-13 | 51420-NXA-003 | F- 5 |
| | F- 8 | 45127-NX5-681 | F- 3 | 50630-NXA-000 | F-13 | 51420-NXA-611 | F- 5 |
| 43352-NX5-004 | F- 3 | 45129-NX5-680 | F- 3 | 50640-NXA-000 | F-13 | 51421-NXA-003 | F- 5 |
| 43353-461-771 | F- 7 | 45131-166-016 | F- 8 | 50641-NF5-950 | F-13 | 51422-MT7-003 | F- 5 |
| | F- 8 | 45131-HA5-672 | F- 8 | 50643-NL5-760 | F-13 | 51423-MT7-003 | F- 5 |
| 43468-KS6-700 | F-14 | 45132-166-016 | F- 8 | 50803-NF4-610 | F-19 | 51430-NXA-003 | F- 5 |
| 43500-NF4-770 | F- 7 | 45133-MA3-006 | F- 8 | 50807-NXA-000 | F-19 | 51430-NXA-611 | F- 5 |
| 43503-MB2-006 | F- 7 | 45200-NX5-770 | F- 3 | 50810-NXA-000 | F- 1 | 51436-NF5-761 | F- 5 |
| 43503-NF4-000 | F- 7 | 45203-MG3-016 | F- 8 | 50811-NX4-680 | F- 1 | 51447-KA4-711 | F- 5 |
| 43504-NF4-770 | F- 7 | 45215-GE2-016 | F- 8 | 50814-GZ5-003 | E- 6 | 51454-MCF-003 | F- 5 |
| 43516-HA2-000 | F- 1 | 45220-NX5-681 | F- 6 | 50815-NXA-610 | F- 1 | 51500-NXA-003 | F- 5 |
| 43541-ND5-750 | F- 7 | 45351-KAB-000 | F- 9 | 50815-NX4-000 | F- 1 | 51500-NXA-611 | F- 5 |
| | | 45500-NX5-680 | F- 3 | 50816-NX4-000 | F- 1 | 51517-MCF-003 | F- 5 |
| | | 45506-ND5-751 | F- 7 | 50820-NXA-000 | F-19 | 51520-NXA-003 | F- 5 |
| | | 45520-NX6-000 | F- 3 | | | 51520-NXA-611 | F- 5 |
| 44300-NXA-000 | F- 6 | 45530-NF4-650 | F- 7 | | | | |

2002-RS250R PART NO. INDEX

| Part No. | Block | Part No. | Block | Part No. | Block | Part No. | Block |
|---------------|-------|---------------|-------|---------------|-------|---------------|-------|
| 52100-NXA-010 | F-14 | 53105-NF4-770 | F- 2 | 61100-NXA-000 | F- 4 | 87560-357-671 | F-10 |
| 52101-KY2-000 | F-14 | 53110-NXA-000 | F- 2 | 61100-NXA-610 | F- 4 | | |
| 52102-NX5-000 | F-14 | 53111-NX4-000 | F- 2 | 61104-KA4-700 | F-19 | | |
| 52106-NX4-000 | F-14 | 53120-NXA-000 | F- 2 | | | | |
| 52109-NX5-000 | F-14 | 53141-NX5-770 | F- 2 | | | 90001-438-850 | F-17 |
| 52156-GAN-670 | F-14 | 53142-NX5-770 | F- 2 | | | 90001-NXA-610 | E- 9 |
| 52158-HB5-003 | F-14 | 53165-ML7-010 | F- 2 | 64100-NXA-000 | F-19 | 90002-KG4-000 | E- 7 |
| 52159-467-000 | F-14 | 53166-ML7-000 | F- 2 | 64109-NF5-750 | F-19 | 90003-MC7-000 | F- 6 |
| 52161-NF5-710 | F-14 | 53167-NX5-950 | F- 2 | 64200-NXA-000 | F-19 | | F-13 |
| 52170-NX4-000 | F-14 | 53168-NX5-950 | F- 2 | 64234-NX5-770 | F-11 | 90004-GHB-670 | E- 5 |
| 52400-NXA-601 | F-15 | 53172-430-003 | F- 2 | | F-19 | | F- 1 |
| 52400-NXA-621 | F-15 | 53173-376-000 | F- 2 | | | 90004-GHB-680 | E-10 |
| 52401-NXA-003 | F-15 | 53175-NX5-680 | F- 3 | | | 90013-415-000 | E- 8 |
| 52402-NXA-003 | F-15 | 53176-NX5-680 | F- 3 | | | 90013-NXA-000 | E- 9 |
| 52403-NXA-003 | F-15 | 53178-NX5-680 | F- 2 | 65210-NXA-000 | F-19 | 90022-MG8-000 | E-10 |
| 52404-NXA-611 | F-15 | 53192-KA4-710 | F- 2 | | | 90035-NX5-700 | E- 1 |
| 52410-NXA-003 | F-15 | 53200-NXA-000 | F- 4 | | | | E- 2 |
| 52410-NXA-611 | F-15 | 53214-MR7-003 | F- 4 | | | 90037-NX5-000 | E- 1 |
| 52411-NF5-951 | F-15 | 53230-NXA-000 | F- 4 | 77105-NX4-000 | F-19 | | E- 2 |
| 52420-NX4-003 | F-15 | 53700-NXA-003 | F- 4 | 77210-NXA-000 | F-19 | | E- 6 |
| 52422-NF5-952 | F-15 | 53700-NXA-611 | F- 4 | 77220-NXA-000 | F-19 | 90081-NF5-000 | E- 3 |
| 52424-GC4-831 | F-15 | 53705-NF5-760 | F- 4 | 77221-NF5-760 | F-19 | | E- 7 |
| 52424-KAF-901 | F-15 | 53710-NXA-000 | F- 4 | | | 90082-NX5-000 | E- 7 |
| 52458-NXA-003 | F-15 | 53713-NC8-000 | F- 4 | | | 90083-NX5-000 | E- 7 |
| 52459-ML7-691 | F-15 | | | | | 90101-692-000 | F-14 |
| 52459-NXA-003 | F-15 | | | 80112-MA6-000 | F-17 | 90102-NF5-000 | F-15 |
| 52460-NXA-000 | F-15 | | | 80115-GS3-000 | F-10 | 90104-ML7-920 | F-14 |
| 52465-NX4-000 | F-15 | 55101-KBA-900 | F-18 | | | 90106-NF4-770 | F-19 |
| 52468-NF5-000 | F-15 | 55204-GJ2-000 | F-11 | | | 90108-GK1-000 | F- 3 |
| 52469-NC8-000 | F-15 | | | | | | F- 4 |
| 52470-NXA-000 | F-15 | | | 87207-NX4-870 | F-10 | | F-19 |
| | | | | 87208-NC2-000 | F-10 | 90109-KE1-000 | F-17 |

2002-RS250R PART NO. INDEX

| Part No. | Block | Part No. | Block | Part No. | Block | Part No. | Block |
|---------------|-------|---------------|-------|---------------|-------|---------------|-------|
| 90109-MR7-000 | F- 5 | 90305-KZ4-891 | F- 9 | 90454-428-000 | E- 9 | | F-16 |
| 90110-GE0-710 | F-14 | 90305-MB4-003 | F-14 | 90456-425-000 | E- 3 | 90653-NC8-000 | F-19 |
| 90110-ML7-000 | F-15 | 90305-ML7-000 | F- 6 | 90456-KA4-000 | E- 3 | 90654-NC8-000 | F-19 |
| 90111-NX4-710 | F- 3 | 90306-NF5-951 | F-15 | 90461-286-000 | E- 9 | 90654-NX5-770 | F-11 |
| 90112-GZ0-000 | F- 9 | 90321-KF0-000 | F- 2 | 90462-323-000 | E- 9 | 90655-NC8-000 | F-19 |
| 90113-MCF-000 | F-13 | 90355-469-000 | F-14 | 90488-425-000 | E- 1 | 90655-NX5-770 | F-11 |
| 90114-NX5-680 | F- 2 | 90401-KZ4-890 | F- 9 | | E- 2 | 90656-NX4-000 | F-19 |
| 90117-MAZ-000 | F-14 | 90401-NX5-770 | E- 1 | 90501-ND5-750 | F-15 | 90656-NX5-770 | F-11 |
| 90124-NX4-000 | F-17 | | E- 2 | 90501-NX5-680 | F- 2 | 90659-MR5-000 | F- 2 |
| 90134-ND5-000 | F-17 | 90402-MCL-000 | E- 8 | 90504-MA6-000 | F-13 | 90701-NX5-000 | E- 8 |
| | F-18 | 90402-ND5-750 | E- 3 | 90506-430-000 | F-12 | 90702-KAE-000 | E- 6 |
| 90135-HA7-770 | F- 9 | 90402-PC6-000 | E- 9 | 90510-NX4-000 | F-15 | 90754-NX5-770 | F-11 |
| 90145-MS9-612 | F- 7 | 90411-NF5-760 | E- 3 | | F-17 | 90755-NX5-770 | F-11 |
| 90145-NX4-710 | F- 3 | 90412-NF5-760 | E- 3 | 90511-NX4-000 | F-17 | 90756-NX5-770 | F-11 |
| 90153-HA8-000 | F-15 | 90413-NF5-760 | E- 3 | 90512-NX4-000 | F-17 | | |
| 90178-NC8-000 | F-13 | 90414-NF5-760 | E- 3 | 90513-NX4-000 | F-17 | | |
| 90197-MN5-000 | F-16 | 90421-KAE-740 | E- 9 | 90522-028-000 | F-14 | | |
| 90201-415-000 | E- 1 | 90428-958-000 | E-10 | 90524-MCF-000 | F-13 | 91001-KG8-901 | E- 4 |
| | E- 2 | 90430-PV0-000 | F-17 | 90543-273-000 | E- 1 | 91001-NX5-003 | E- 8 |
| 90201-KV3-700 | F-13 | 90432-121-000 | E- 6 | | E- 2 | 91001-NX5-701 | E- 7 |
| 90201-NF5-000 | E- 4 | 90432-428-000 | E- 3 | | E- 6 | 91003-NX5-003 | E- 8 |
| 90235-MN1-670 | E- 3 | 90435-HB3-000 | E-10 | | E- 7 | 91004-KY4-900 | E-10 |
| 90301-473-003 | E- 1 | 90441-KR3-000 | E- 5 | | F-17 | 91005-NX5-771 | E- 7 |
| | E- 2 | 90442-035-000 | E- 1 | 90601-107-000 | E- 9 | 91010-NX5-003 | E- 7 |
| | E- 4 | | E- 2 | 90601-ZE1-000 | F- 3 | 91011-NX5-000 | E-10 |
| | F-13 | | E- 4 | | F- 7 | 91012-KA3-710 | E- 7 |
| 90301-HA7-670 | E- 6 | 90443-GC8-000 | F-10 | 90651-NC8-000 | F- 7 | | E-10 |
| 90301-NX4-000 | F-17 | 90443-MB0-000 | E- 3 | | F-10 | 91012-NX5-000 | E- 7 |
| 90302-MR7-000 | F- 4 | 90443-MF5-000 | E- 4 | | F-17 | 91016-MR7-003 | F- 4 |
| 90302-NF5-760 | F- 4 | 90445-MM4-000 | E- 7 | | F-19 | 91021-ML3-003 | E- 3 |
| 90304-GA6-003 | F-15 | 90447-KE1-000 | E- 6 | 90652-ND5-000 | E-11 | 91022-KA4-740 | E- 7 |
| 90304-GE8-003 | F- 9 | 90451-KE8-000 | E- 9 | | F- 7 | 91023-NXA-003 | E- 7 |

2002-RS250R PART NO. INDEX

| Part No. | Block | Part No. | Block | Part No. | Block | Part No. | Block |
|---------------|-------|----------------|-------|----------------|-------|----------------|-------|
| 91024-GJ5-003 | E- 1 | 91205-PH8-005 | E- 1 | 92201-08035-0A | F- 4 | 94001-06000-0S | F- 2 |
| | E- 2 | | E- 2 | 92301-05014-0A | E- 4 | 94001-06200-0S | F-13 |
| 91026-MN0-003 | E- 9 | 91206-KV3-003 | E- 7 | 92301-05016-0A | E- 4 | 94001-12200-0S | E- 5 |
| 91034-NXA-003 | E- 4 | 91211-KA3-761 | E- 6 | 92900-06028-0E | E- 1 | 94002-08000-0S | F- 4 |
| 91050-NXA-003 | F- 9 | 91212-422-006 | F- 7 | | E- 2 | | F-10 |
| 91053-MAZ-003 | F- 9 | 91214-MR7-003 | F-14 | 92900-08032-3E | E- 7 | | F-13 |
| 91058-MG9-681 | F- 2 | 91255-723-671 | E- 7 | 92900-08035-3E | E- 7 | 94050-06000 | F- 1 |
| | F- 7 | 91255-KS6-831 | F- 5 | | | | F-12 |
| | F-10 | 91255-MCF-003 | F- 5 | | | | F-18 |
| | F-16 | 91258-GF4-003 | F- 5 | | | 94050-08000 | E- 1 |
| | F-19 | 91261-MB0-003 | E- 7 | 93401-06025-00 | F-13 | | E- 2 |
| 91058-NX6-801 | F- 2 | 91262-KV3-831 | F-15 | 93401-06028-00 | F-13 | | F-14 |
| 91060-NL0-003 | F- 4 | 91264-415-003 | E- 3 | 93404-06020-08 | E- 3 | 94050-06000 | F-13 |
| 91071-MR7-003 | F-14 | 91271-MB0-013 | E- 3 | 93404-06025-00 | F-18 | 94050-10000 | F-17 |
| 91071-MY1-005 | F-15 | 91301-KR3-003 | F-12 | 93404-06028-00 | F- 1 | 94101-03000 | F-11 |
| 91072-MR7-003 | F-14 | 91301-MW4-004 | F-12 | | F-17 | | F-19 |
| 91080-NC8-300 | F-11 | 91302-HA5-003 | E- 1 | 93500-04012-0A | E-11 | 94101-06000 | F-13 |
| | F-19 | | E- 2 | 93500-04025-0G | E- 7 | 94102-08000 | F- 4 |
| 91080-NF5-710 | F-14 | 91304-MJ0-003 | E- 7 | 93500-05016-0A | F- 2 | | F-14 |
| 91081-NF4-003 | F-12 | 91306-HB3-003 | E- 3 | 93500-05020-0G | F- 2 | 94102-10000 | F-14 |
| 91082-NF5-000 | F-11 | 91307-PK2-005 | F- 1 | 93600-06012-0A | E- 7 | 94201-25300 | F-19 |
| 91101-121-691 | E- 3 | 91311-MR7-003 | F- 5 | | E-10 | 94251-05000 | F- 3 |
| | E-10 | 91315-KE8-003 | F-12 | 93892-03008-08 | E- 7 | 94252-10100 | F-10 |
| 91101-NX5-023 | E- 8 | 91351-MCF-003 | F- 5 | 93892-04010-00 | E-11 | 94252-16100 | F-19 |
| 91101-PZ9-000 | E- 7 | 91351-MT7-003 | F- 5 | 93892-04014-18 | E-11 | 94301-06100 | E- 1 |
| 91102-GE1-711 | E-10 | 91359-415-300 | E- 3 | 93893-04012-18 | F- 7 | | E- 2 |
| 91201-965-000 | E- 6 | 91359-NXA-003 | F-15 | | | 94301-08100 | E- 3 |
| 91201-KM4-003 | E- 8 | 91361-MB0-000 | E- 7 | | | | E- 4 |
| 91201-ML3-873 | E- 9 | | | | | | E- 6 |
| 91202-MR7-003 | F-14 | | | 94001-05000-0S | E- 4 | 94301-10120 | E- 1 |
| 91202-NX5-771 | E- 8 | | | 94001-05080-0S | E- 1 | | E- 2 |
| 91203-KK3-830 | E- 3 | 92101-06025-0A | F-13 | | E- 2 | 94303-08140 | E- 7 |

2002-RS250R PART NO. INDEX

| Part No. | Block | Part No. | Block | Part No. | Block | Part No. | Block |
|----------------|-------|----------------|-------|----------------|-------|----------------|-------|
| 94303-08140 | E-10 | 96001-06012-00 | E- 7 | 96700-06016-07 | F-12 | 99113-GHB-2150 | E-11 |
| 94510-14000 | E-10 | 96001-06014-00 | E- 1 | | | | |
| 94520-22000 | E- 4 | | E- 2 | | | | |
| 94520-37000 | F-14 | | E-10 | | | | |
| 94520-42000 | F- 6 | 96001-06020-00 | F-19 | 99103-440-0400 | E-11 | | |
| 94520-52000 | F- 9 | 96001-06022-00 | E- 7 | 99103-440-0420 | E-11 | | |
| 94540-08029 | F-14 | | F- 2 | 99103-440-0450 | E-11 | | |
| 94560-62200 | E- 8 | 96001-06025-00 | E- 3 | 99103-440-0480 | E-11 | | |
| 94601-17000 | F- 4 | | E- 7 | 99103-440-0500 | E-11 | | |
| | | 96001-06028-00 | E- 6 | 99113-GHB-1500 | E-11 | | |
| | | 96001-06032-00 | F- 4 | 99113-GHB-1520 | E-11 | | |
| | | | E- 3 | 99113-GHB-1550 | E-11 | | |
| 95001-75150-40 | F-10 | | E- 6 | 99113-GHB-1580 | E-11 | | |
| 95002-02070 | E- 7 | 96001-06035-00 | F- 4 | 99113-GHB-1600 | E-11 | | |
| 95002-02079 | E-11 | 96001-06040-00 | E- 4 | 99113-GHB-1620 | E-11 | | |
| 95002-02080 | F-18 | 96150-60040-10 | F- 6 | 99113-GHB-1650 | E-11 | | |
| 95002-02120 | F- 7 | 96211-04000 | F- 5 | 99113-GHB-1680 | E-11 | | |
| | F-10 | 96211-06000 | E- 3 | 99113-GHB-1700 | E-11 | | |
| 95002-40850-08 | F- 3 | 96220-40080 | E-10 | 99113-GHB-1720 | E-11 | | |
| 95002-45000 | F-10 | 96400-08050-00 | F-14 | 99113-GHB-1750 | E-11 | | |
| 95002-50000 | F-10 | 96500-06010-00 | F-13 | 99113-GHB-1780 | E-11 | | |
| 95002-80000 | F-10 | 96500-06016-00 | F-16 | 99113-GHB-1800 | E-11 | | |
| 95003-10003-31 | F-10 | | F-19 | 99113-GHB-1820 | E-11 | | |
| 95003-10022-31 | F-10 | 96500-06020-00 | F-13 | 99113-GHB-1850 | E-11 | | |
| 95003-10060-31 | F-10 | | F-17 | 99113-GHB-1880 | E-11 | | |
| 95003-11015-60 | F- 3 | 96500-06025-00 | F-12 | 99113-GHB-1900 | E-11 | | |
| 95003-14025-10 | F-18 | | F-18 | 99113-GHB-1920 | E-11 | | |
| 95003-23060-31 | F-10 | 96500-08035-00 | F- 2 | 99113-GHB-1950 | E-11 | | |
| 95003-45012-10 | F- 7 | | F- 4 | 99113-GHB-1980 | E-11 | | |
| 95018-52250 | E- 7 | 96500-10028-00 | F-17 | 99113-GHB-2000 | E-11 | | |
| 95801-08040-00 | F-13 | 96500-10055-08 | F-17 | 99113-GHB-2050 | E-11 | | |
| | | 96600-06020-07 | F- 3 | 99113-GHB-2100 | E-11 | | |

Honda Racing Corporation

Head Office/3-15-1 Senzui, Asaka-shi, Saitama-pref., 351-0024 Japan

TEL.048-461-9511 TELFAX.048-469-0068

European Office/Wijngaardveld 1, B 9300. Aalst. Belgium.

TEL. 053-78-6131 TELFAX.053-77-5767



© Honda Racing Corporation 2001
Published by Honda Racing Corporation